

107

SERVICE MANUAL

marantz

model SR8000

Stereophonic Receiver

MARANTZ DESIGN AND SERVICE

Using superior design and selected high grade components, MARANTZ Company has created the ultimate in stereo sound. Only original MARANTZ parts can insure that your MARANTZ product will continue to perform to the specifications for which it is famous.

Parts for your MARANTZ stereo are generally available within 72 hours throughout the nation via a toll-free line to our National Parts Depot in California. The sales professionals who take your call immediately refer to their own desk top computer terminal and can quickly determine the availability and price information you require. If, for some reason, your order should exceed our available stock, we usually can instantly provide an alternate replacement part or current delivery information. When the order is placed and confirmed, the computer simultaneously generates "hard copy" orders at the distribution center. As hard copies come directly from the computer to the national parts depot, your requested stock is assembled and prepared for shipment and placed on the first available carrier for delivery to you.

ORDERING PARTS

Phone orders will eliminate mail delays, and we encourage the use of this method. If you order by mail, use MARANTZ parts order forms which are available from our National Parts Depot located at the following address:

SUPERSCOPE NATIONAL PARTS DEPARTMENT
20525 Nordhoff Street
Chatsworth, California 91311
Phone: 1-800-423-5108
1-213-998-9333

The following information must be supplied to eliminate delays in processing your order:

1. Complete address.
2. Complete part numbers.
3. Complete description of parts.
4. Model number for which part is required (indicate MARANTZ).
5. Account number (for account customers only).

Direct consumers will be provided with the current retail price quotation on available parts in order to advise them of the cost of the parts and shipping.

OVERSEAS PARTS ORDERING

Parts may also be ordered from the following overseas addresses:

CANADA

Superscope Canada, Ltd.
3710 Nashua Drive
Mississauga
Ontario, Canada L4V1M5

AUSTRALIA

Superscope (Australasia) Pty., Ltd.
32 Cross Street (P.O. Box 604)
Brookvale 2100 N.S.W.
Australia

JAPAN

Marantz Japan, Inc.
3622 Kamitsuruma
Sagamihara Shi
Kanagawa, Japan

EUROPE

Superscope Europe, S.A.
Avenue Leopold III, 2
7120 Perennes-Lez-Binche
Belgium

Marantz France
Rue Louis Armand 9
92600 Asnieres
Hauts-de-Seine
France

Marantz Audio U.K. Ltd.
London Road, 203
Staines
Middlesex
England

Superscope GmbH
Max-Planck-Strasse 22
D-6072 Dreieich 1
West Germany

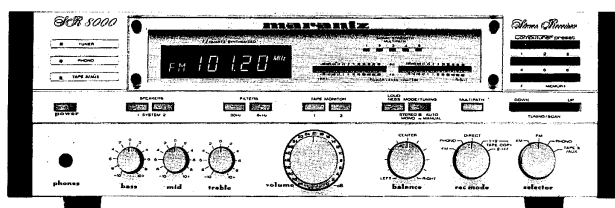
All of the above locations are fully equipped to take care of your total service needs. Because various countries have differing configuration requirements, it is necessary that you contact the service facility in your particular country. In the event that there is no service location listed for your country, please contact the nearest facility for the necessary assistance.

marantz®
We sound better.

TABLE OF CONTENTS

Section	Page
1. P.W. BOARDS	3
2. TEST EQUIPMENT REQUIRED FOR SERVICING	3
3. FREQUENCY SYNTHESIZER RADIO TUNING SYSTEM	4~11
4. ALIGNMENT PROCEDURES	12~14
5. VOLTAGE CONVERSION	15
6. DIAGRAMS	16~26
7. EXPLODED VIEW AND PARTS LIST	27~42
8. TECHNICAL SPECIFICATIONS	43~46
9. SCHEMATIC DIAGRAM	47

MODEL SR-8000 STEREOPHONIC RECEIVER



INTRODUCTION

This service manual was prepared for use by Authorized Warranty Stations and contains service information for Marantz Model SR-8000 Stereophonic Receiver.

Servicing information and voltage data included in this manual are intended for use by the knowledgeable and experienced technician only. All instructions should be read carefully. No attempt should be made to proceed without a good understanding of the operation of the receiver.

The parts list furnishes information by which replacement parts may be ordered from the Marantz Company. A simple description is included for parts which can usually be obtained through local suppliers.

1. P.W. BOARDS

1. Tuner/Phono	mounted on P.W. Board	P100
2. Power Amp	mounted on P.W. Board	P700
3. Power Supply	mounted on P.W. Board	P800
4. Sub Power Supply	mounted on P.W. Board	P860
5. Display Unit	mounted on P.W. Board	P900
6. Noise Amp	mounted on P.W. Board	PB00
7. Synthesizer	mounted on P.W. Board	PC00
8. Tone Amp	mounted on P.W. Board	PE00
9. Volume/Balance	mounted on P.W. Board	PG00
10. Power Level LED	mounted on P.W. Board	PK00
11. Voltage Amp	mounted on P.W. Board	PN00
12. Tape/Filter/Loudness	mounted on P.W. Board	PS00
13. Multipath	mounted on P.W. Board	PS50
14. Speaker Switch	mounted on P.W. Board	PT00
15. Rec. Mode Switch	mounted on P.W. Board	PT50
16. Tuning Key	mounted on P.W. Board	PU00
17. Scan Step	mounted on P.W. Board	PU50
18. Tape 2 Terminal	mounted on P.W. Board	PV00
19. Remote Cont.	mounted on P.W. Board	PV50
20. Phone Jack	mounted on P.W. Board	PW00
21. Function Indicator	mounted on P.W. Board	PY00

2. TEST EQUIPMENT REQUIRED FOR SERVICING

This table lists the test equipment required for servicing the Model SR-8000 Receiver.

Item	Manufacturer and Model No.	Use
AM Signal Generator		Signal source for AM alignment
Test Loop		Use with AM Signal Generator
FM Signal Generator MPX Signal Generator	Sound Technology Model 1000A	Signal source for FM alignment Stereo separation alignment and trouble shooting
Distortion Analyzer Audio Oscillator AC VTVM	Sound Technology Model 1700A	Distortion measurements Sinewave and squarewave signal source Voltage measurements (AC)
Oscilloscope	Tektronix Model T932 Philips Model 3232	Waveform analysis and trouble shooting and ASO alignment
Frequency Counter	Fluke Model 1900A	MPX Oscillator adjustment (VCO)
Circuit Tester		Trouble shooting
DC VTVM	Fluke Model 8000 "Digital" Simpson Model 313, Triplet Model 801	Voltage measurements (DC)
AC Wattmeter	Simpson Model 1379	Monitors primary power to amplifier
AC Ammeter	Commercial Grade (1-10A)	Monitors amplifier output under short circuit condition
Line Voltmeter	Simpson Model 1359	Monitors potential of primary power to amplifier
Variable Autotransformer	Superior Electronic Co., Powerstat Model 116B-10A	Adjusts level of primary power to amplifier
Shorting Plug	Use phono plug with 600-ohm across center pin and shell	Shorts amplifier input to eliminate noise pickup
Output Load (8 ohms, ± 0.5%, 100W)	Commercial Grade	Provides 8-ohm load for amplifier output termination
Output Load (4 ohms, ± 0.5%, 100W)	Commercial Grade	Provides 4-ohm load for amplifier output termination

3. FREQUENCY SYNTHESIZER RADIO TUNING SYSTEM

3.1 Construction of Synthesizer System

This frequency synthesizer is composed of a microcomputer (MN 1400SJ), PLL LSI (MN6142), CMOS RAM (MN1203), prescaler (uPB551C), lowpass filter, crystals and fluorescent indicating tubes, as shown in Fig. 1.

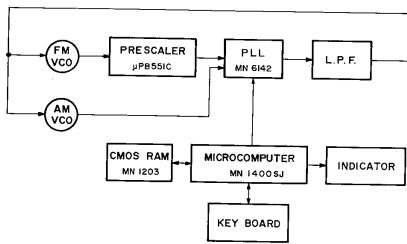


Figure 1. Block Diagram of Synthesizer

3.2 Microcomputer MN1400SJ

[1] Terminal connections

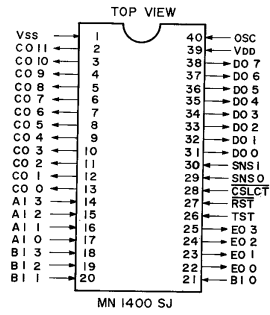


Figure 2

[2] Block diagram

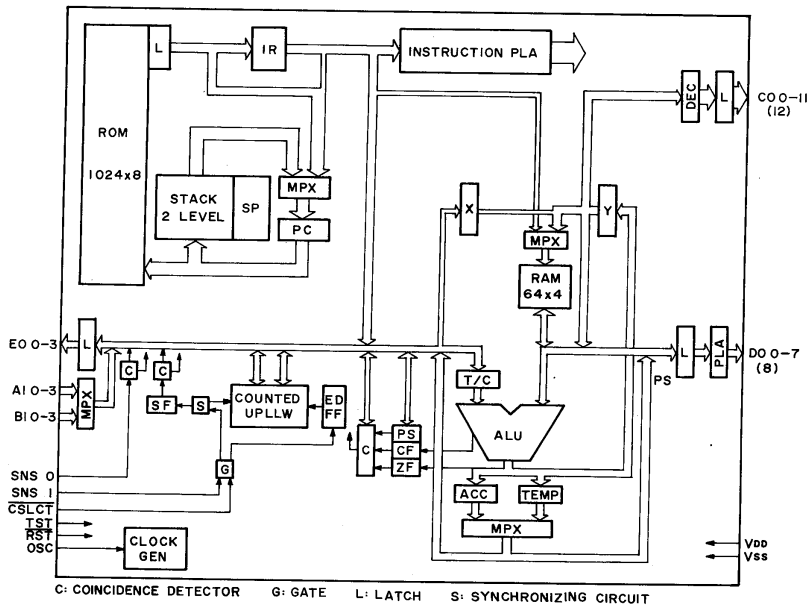


Figure 3

[3] Specifications

Type No.	Function	Maximum Ratings (Ta = 25°C)			Electrical Characteristics (Ta = 25°C)						
		Item	Rating	Unit	Item	Condition	Min.	Typ.	Max.	Unit	
MN1400	N-Channel LOCOS E/D MOS 4-Bit · 1 Chip Microcomputers	V _{DD}	-0.3~+10	V	I _{DD}	V _{DD} = 5V Without load		20	40	mA	
		V _I	-0.3~+10	V							
		V _O	-0.3~+10	V	P _T	V _{DD} = 5V Without load		100	200	mA	
		V _{OSC}	-0.3~+10	V							
		I _{OH} (PK) (C,D,E Port)	-0.5	mA	V _{IH1}	A10~A13, B10~B13 SNS0, SNS1 V _{DD} = 5V	2.4		V _{DD}	V	
		I _{OL} (PK) (C,D,E Port)	8	mA	V _{IL1}		V _{SS}		0.8		
		I _{OH} (aV) (C,D,E Port)	-0.25	mA	V _{IH2}	RST, CSLCT, RDY V _{DD} = 5V	2.4		V _{DD}	V	
		I _{OL} (aV) (C,D,E Port)	4	mA	V _{IL2}		V _{SS}		0.8		
		P _T	500	mW	I _{I2}	V _I = 0.8V		-5	-15	-30	μA
		Topr	-30~+70	°C	V _{OH1}	CO0~CO11, DO0~DO7, SYNC, EO0~EO3, DOPS, RA0~RA10	V _{DD} = 5V I _{OH} = -30μA	4			V
		Tstg	-55~+125	°C	V _{OH2}			V _{DD} = 5V I _{OH} = -100μA	2.6		
		Operating Condition (Ta = 25°C)			V _{OL}	V _{DD} = 5V I _{OL} = 2mA				0.5	
		Item	min.typ.max.	Unit	f _{OSC}		V _{DD} = 5V, R _{OSC} = 18kΩ, C _{OSC} = 100pF	200	300	450	kHz
		V _{DD}	4,5,6	V	C ₁	V _{DD} = 5V, V _I = 2V		5			pF
					C ₀	V _{DD} = 5V, V _I = 2V		7			

[4] Functions of terminals

No.	Symbol	Item	No.	Symbol	Item
1	V _{SS}	GND	40	OSC	360 kHz In
2	CO11		39	V _{DD}	5V
3	CO10	Muting Output (H)	38	DO7	
4	CO9	Band: AM/FM Select Signal Output	37	DO6	Segment output: c
5	CO8	Load signal output to PLL latch circuit	36	DO5	Segment output: d
6	CO7	Memory chip enabling output	35	DO4	Segment output: a
7	CO6		34	DO3	Segment output: f Frequency-division ratio preset output
8	CO5	Digit output: AM, FM, ME, FM Stereo	33	DO2	Segment output: e Frequency-division ratio preset output
9	CO4	5th digit	32	DO1	Segment output: g Frequency-division ratio preset output
10	CO3	4th digit	31	DO0	Segment output: b Frequency-division ratio preset output
11	CO2	3rd digit	30	SNS1	5V
12	CO1	2nd digit	29	SNS0	
13	CO0	1st digit	28	CSLCT	GND
14	A13	Key mode switch input	27	RST	Reset
15	A12	Key mode switch input	26	TST	
16	A11	Key mode switch input	25	EO3	Key mode switch output
17	A10	Key mode switch input	24	EO2	Key mode switch output
18	B13	5V	23	EO1	Key mode switch output
19	B12		22	EO0	Memory PLL address latch select output
20	B11		21	B10	Squelch input (L)

3.3 PLL LSI MN6142

[1] Terminal connections

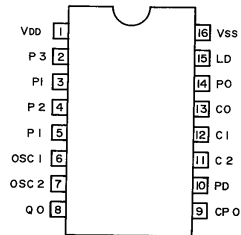


Figure 4

[2] Specifications

Absolute maximum ratings				
Item	Symbol	Rating	Unit	Remarks
Power supply voltage	V_{DD}	-0.3 - +10	V	$V_{SS} = 0V$
Power consumption	P_T (MAX)	50	mW	
Input voltage	V_{IN}	-0.3 - $V_{DD} + 0.3$	V	$V_{SS} = 0V$
Output voltage	V_{OUT}	-0.3 - $V_{DD} + 0.3$	V	$V_{SS} = 0V$
Operating temperature	T_{opr}	-20 - +70	°C	
Storage temperature	T_{stg}	-55 - +100	°C	

[3] Block diagram

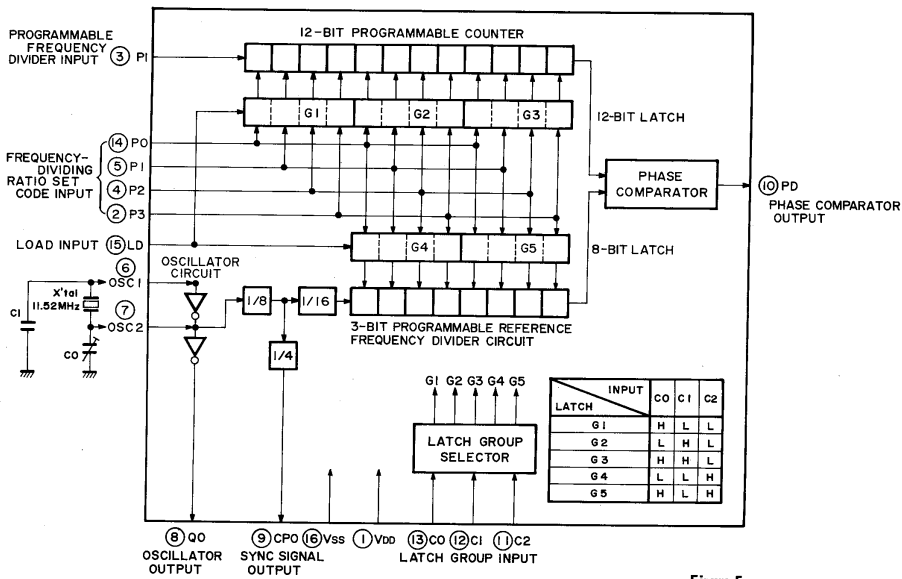


Figure 5

[4] Functions of terminals

No.	Symbol	Descriptions
1	V _{DD}	Power supply +5V
2	P ₃	Frequency dividing ratio preset code input
3	P ₁	Programmable frequency divider input
4	P ₂	Frequency dividing ratio preset code input
5	P ₁	Frequency dividing ratio preset code input
6	OSC1	Oscillator
7	OSC2	Oscillator
8	QO	Oscillator output, 11.52 MHz
9	COP	Sync signal output, 360kHz
10	PD	Phase comparator output
11	C ₂	Latch group select input
12	C ₁	Latch group select input
13	CO	Latch group select input
14	PO	Frequency dividing ratio preset code input
15	LD	Load signal terminal for frequency dividing ratio preset code input latch circuit
16	V _{SS}	Ground

3.4 CMOS RAM MN1203

[1] Terminal connections

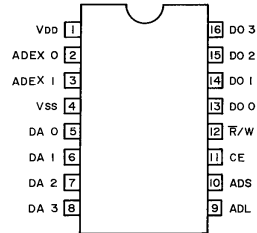


Figure 6

[2] Specifications

Absolute maximum ratings				
Item	Symbol	Rating	Unit	Remarks
Power supply voltage	V _{DD}	-0.3 - +8.0	V	V _{SS} = 0V
Input voltage	V _{IN}	-0.3 - V _{DD} + 0.3	V	V _{SS} = 0V
Output voltage	V _{OUT}	-0.3 - V _{DD} + 0.3	V	V _{SS} = 0V
Operating temperature	T _{opr}	-20 - +70	°C	
Storage temperature	T _{stg}	-55 - +100	°C	

[3] Block diagram

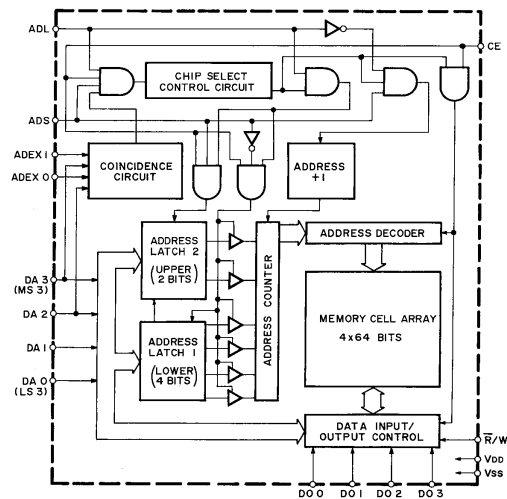


Figure 7

[4] Functions of terminals

No.	Symbol	Descriptions
1	VDD	Power supply, +5V
2	ADEX0	Chip select input
3	ADEX1	Chip select input
4	VSS	Ground
5	DA0	Data/address input
6	DA1	Data/address input
7	DA2	Data/address input
8	DA3	Data/address input
9	ADL	Address latch data input
10	ADS	Address latch select input
11	CE	Chip enable input
12	R/W	Writing designation input
13	DO0	Data output
14	DO1	Data output
15	DO2	Data output
16	DO3	Data output

3.5 Prescaler uPB551C

[1] Terminal connections

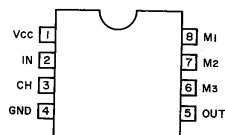


Figure 8

[2] Specifications

Absolute maximum ratings (Ta = 25°C)

Item	Symbol	Rating	Unit
Power supply voltage	V _{CC}	-0.5 - +6.0	V
Input voltage	V _i	-0.5 - V _{CC}	V
Output current	V _o	15	mA
Junction temperature	T _j	+125	°C
Storage temperature	T _{stg}	-55 - +125	°C

Electrical characteristics (V_{CC} = 5V ±10%, Ta = -30 - +75°C)

Item	Symbol	Conditions	MIN.	TYP.	MAX.	Unit
Power supply current	I _{CC}	V _{CC} = 5.0V		38	52	mA
High level output voltage	V _{OH}	Out terminal I _o = -40μA	4.0			V
Low level output voltage	V _{OL}	Out terminal I _o = 1.0mA			1.0	V
High level input voltage	V _{IH}	M ₃ terminal *1	4.0			V
Low level input voltage	V _{IL}	M ₃ terminal *2			1.0	V
Input voltage	V _{in}	IN terminal	140			mVr.m.s.
Response frequency	fin ₁	IN terminal, 1/10, 1/11 frequency-division *3	1.0		100	MHz
Response frequency	fin ₂	IN terminal, other than 1/10, 1/11 frequency-division *3	1.0		150	MHz

[3] Block diagram

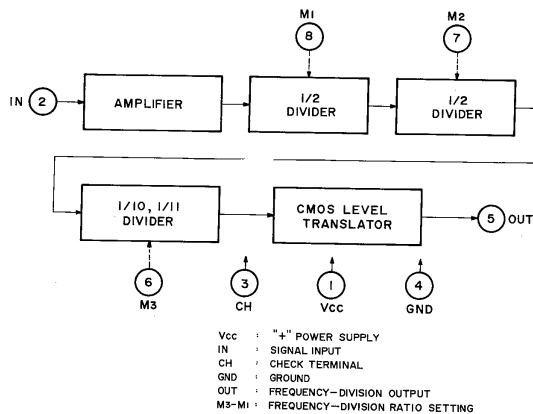


Figure 9

3.6 Principles of operation of PLL Synthesizer Tuning System

This synthesizer system incorporates a PLL circuit and a microcomputer to electronically select radio stations by varying the capacity of a varactor diode, eliminating the need for a mechanical variable condenser.

The basic operation of the system is illustrated in Fig. 10. When a reverse voltage is applied to the varactor diode, the junction capacity of the diode is varied which in turn varies the tank tuning frequency and hence the antenna circuit, RF amplifier and local oscillator circuit are tuned to the desired radio frequency.

In FM tuning, the local oscillator frequency f_L is divided by 20 by the prescaler, since it is as high as $\star 98.8-118.6$ MHz (or $\star 98.2-118.7$ MHz). The divided frequency is then applied to the 1/N programmable counter where it is further divided by N. The divided signal (f_L') is phase compared with the reference signal (f_r), which the crystal oscillator frequency (11.52 MHz) is count down by the reference frequency divider. If there is a difference in frequency or phase between the two signals, an error output (er) corresponding to the difference is produced.

The error output is a pulse signal and its DC component is

picked up by the LPF in the next stage. The DC component is fed back to the varactor diode to vary the local oscillator frequency.

When the local oscillator frequency is varied and " f_r " and " f_L " are equal, the phase sync loop is locked.

$$f_L' = f_L/20N = f_r$$

$$f_L = 20Nf_r$$

By changing the value of N (an integer) fed from the microcomputer to the 1/N programmable counter, the local oscillator frequency can be varied in $20f_r$ steps. When tuning FM in 200kHz steps, the value of $N = 2N'$ (N' : integer) is fed from the microcomputer. Proper tracking adjustment between the tuning circuit for the antenna and RF amplifier and the local oscillator tuning circuit enables reception of the desired station.

The microcomputer programs the relationship between the receiving mode, intermediate frequency and the value of N and feeds the data of the receiving frequency via the driver to indicate the tuned frequency on the fluorescent tube indicator.

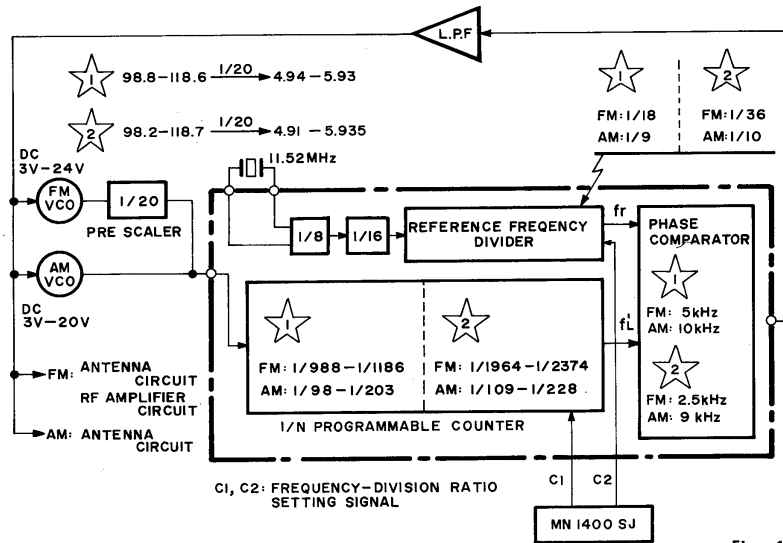


Figure 10

SCAN STEP	Receiving frequency	Intermediate frequency	Local Oscillator frequency	Number of channels	Phase comparator reference frequency
☆	FM: 200kHz	88.1MHz - 107.9MHz	98.8MHz - 118.6MHz	100	5kHz
	AM: 10kHz	530kHz - 1,610kHz	980kHz - 2,060kHz	109	10kHz
☆	FM: 50kHz	87.50MHz - 108.00MHz	98.2MHz - 118.7MHz	411	2.5kHz
	AM: 9kHz	531kHz - 1,602kHz	981kHz - 2,052kHz	120	9kHz

Mode Setting and Control Key Connections

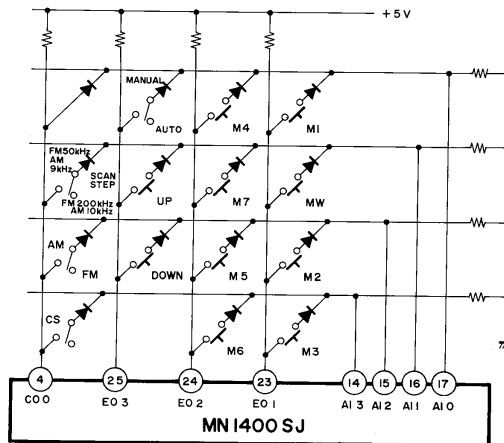


Figure 11

MW: Memory write

- * Memory write is possible with key input.
- * Memory write mode is retained for 5 seconds after key input is turned ON.

M1 – M7: Memory address

- * Received station is stored in memory by key input in memory write mode.
- * Station frequency scanned in memory is called in modes other than "memory write".

UP, DOWN: Up/Down scan

Mode switch in AUTO: Scanned at about 110 msec/ch intervals.

Mode switch in MANUAL: a) Step scan by channel.
b) Scanned at about 90 msec/ch one second after continuous key input.

Scan stop: AUTO . . . Activated by Squelch signal (receive signal).

MANUAL . . . Activated by Key input OFF.

AUTO/MANUAL: Scan AUTO/MANUAL select switch.

- * AUTO . . . Automatic scan with up/down key input.
- * MANUAL . . . Manual scan with up/down key input.

AM/FM: AM/FM select switch

- * Selects AM and FM bands.
- * Calls the last channel of the selected band.

CS: Chip select switch

- * Display goes off at ON position.
- * Control key input is inhibited at the same time.

SCAN STEP: Channel space and frequency select switch

- * AM 10K: 10kHz space 530kHz – 1610kHz
- * FM 200K: 200kHz space 88.1MHz – 107.9MHz
- * AM 9K: 9kHz space 531kHz – 1602kHz
- * FM 50K: 50kHz space 87.50MHz – 108MHz

Switches other than SCAN STEP are transistor switches and used for remote control capability.

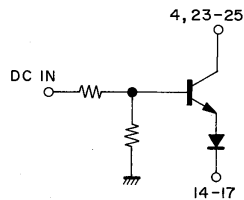


Figure 12

Indicator

The indicator employs fluorescent tubes for dynamic lighting.

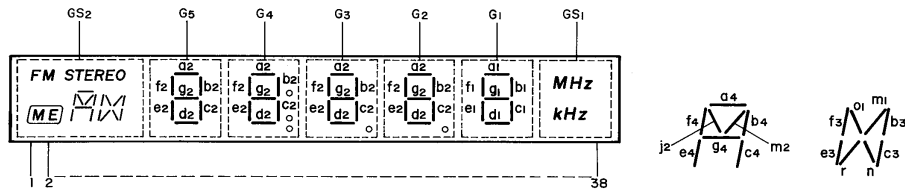


Figure 13

Pin. No.	Conection	Pin. No.	Conection	Pin. No.	Conection	Pin. No.	Conection
1	F	11	b ₄	21	G ₃	31	a ₂
2	FM STEREO	12	a ₄	22	e ₂	32	g ₁
3	ME	13	G ₂	23	Dp ₃	33	b ₁ , e ₁
4	GS ₂	14	j ₁ , m ₁	24	Dp ₂	34	GS ₁
5	j ₂ , m ₂	15	n, r	25	d ₂	35	a ₁ , f ₁ , c ₁ , d ₁
6	g ₄	16	b ₃ , c ₃ , e ₃ , f ₃	26	G ₂	36	KHz
7	e ₄	17	G ₄	27	Dp ₁	37	MHz
8	d ₄	18	g ₂	28	C ₂	38	F
9	c ₄	19	f ₂	29	b ₂		
10	GS ₂	20	Col	30	G ₁		

Dynamic lighting Timing chart

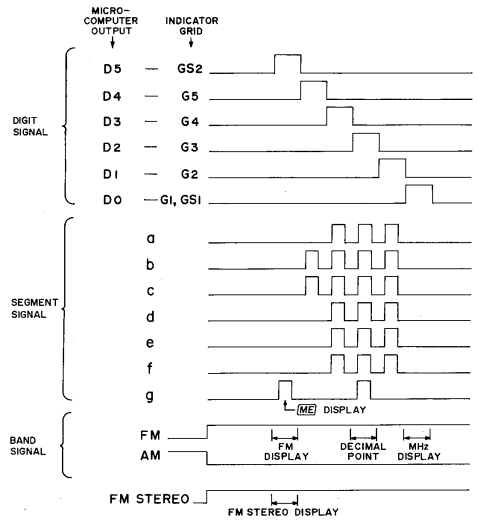


Figure 14

*In the above timing chart, the display lights on FM STEREO, ME and FM 108.00 MHz.
 *For the indication of minimum digit (G1), the segments

a1, c1, d1 and f1 are always lighted, the letter 5 is lighted by the signal g, and the figure 0 is lighted by signals b1 & e1 fed by Q902 & Q903 when the signal g is low level.

4. ALIGNMENT PROCEDURES

A dummy resistor of 47 kohms must be connected across the tuner output terminals before alignment.

4.1 FM Alignment Procedures (Selector switch in the "FM" position, Rec. Mode Switch in the "Direct" position and mode/tuning switch in the "Mono/Manual" position)

Step	Signal Source Connection	Signal Frequency	Indicator Connection	Set the Digital Read out Frequency to:	Adjust:
FM LOCAL OSCILLATOR ALIGNMENT (Scan step selector switch (SU51) in the "50 KHz" position)					
1			DC Volt meter in 30V and 3V range to point (A) (J120 or JA12)	108.00 MHz	C159 for 20.0V
2				87.50 MHz	L106 for 3.0V
3	Repeat steps 1 and 2.				
FM RF ALIGNMENT					
1	RF generator to FM antenna terminals (B) through matching network (300 ohms balanced) (Maintain RF level below limit)	106, 10 MHz	VTVM to L or R channel output (JT51 or JV11)	106, 10 MHz	C156, C157, C158 for maximum output and minimum distortion
2		90, 10 MHz		90, 10 MHz	L101, L120, L121 for maximum output and minimum distortion
3	Repeat steps 1 and 2				
4	RF generator to FM antenna terminals (B) through matching network (300 ohms balanced) (Maintain RF level below limit)	98, 10 MHz	VIVM to L or R channel output (JT51 or JV11)	98, 10 MHz	L105 for maximum output and minimum distortion
5	No. Connection	No. Signal	"O" Center Meter or DC current meter in 100 μ A range to point (C) (J131 and J132)		L109 Core so that the meter indicator is center or may read "O"
6	RF generator 1mV output to FM antenna terminals B through matching network (300 ohms, balanced)	98, 10 MHz	Distortions meter to L or R Channel output (JT51 or JV11)	98, 10 MHz	L110 core for minimum distortion
7					RS51 so that signal Strength Led may light 5 points
Muting circuit Alignment (FM Stopping Level of Scanning FM Stereo indicator threshold Level)					
1	RF generator 12.5 μ V output to FM antenna terminal (B) through matching network (300 ohms balanced)	98, 10 MHz	VTVM to R or L channel output (JT51 or JV11)	98, 10 MHz	R131 for 12.5 μ V threshold Level (Setting to Auto position of mode switch)

MULTIPLEX ALIGNMENT PROCEDURES (Selector switch in the "FM" position. Rec Mode Switch in the "Direct" position and Mode/Tuning switch in the Stereo/Auto position)					
Step	Signal Source Connection	Signal Frequency	Indicator Connection	Set the Digital Read out Frequency to:	Adjust:
1	RF generator to FM antenna terminals (B) through matching network (300 ohms balanced) with 1mV FM stereo simulator RF level and 100% modulation (pilot 9%)	NO, modulation	Frequency counter to point (D) (J302)	98, 10 MHz	R302 so that Frequency counter may precisely read 76kHz
2		Stereo, left (1,000 Hz)	VTVM to right channel (JT51 or JV11)		R326 for maximum output and same separation in both channels.
3		Stereo right (1,000 Hz)	VTVM to left channel output terminal (JT51 or JV11)		
4	Repeat step 2 and 3				
5	RF generator to FM antenna terminals (B) through matching network (300 ohms, balanced). with 1mV FM stereo simulator RF level and Pilot 9% modulation	Pilot only	VTVM to right and left channel output (JT51 or JV11)	98, 10 MHz	R306 so that minimum output should be the same in both channels.

4.2 AM ALIGNMENT Procedures (Selector Switch in the "AM" position. Rec. Mode Switch in the "DIRECT" position and Mode/Tuning switch in the "MONO/MANUAL" position)

Step	Signal Source Connection	Signal Frequency	Indicator Connection	Set the Digital Read out Frequency to:	Adjust:
AM LOCAL OSCILLATOR ALIGNMENT (Scan Step Selector switch (SU51) in the "10KHz" position)					
1	—	—	DC Volt meter in 30V and 3V range to point (A) (J120 or JA12)	1610 kHz	CA35 for 25V
2				530 kHz	LA01 for 2.0V
3	Repeat step 1 and 2				
AM IF ALIGNMENT					
1	Sweep generator to point (E) (RA20)	450kHz marker	Oscilloscope to point (E) (JA03)	Quiet point on band	LA02 & LA03 for maximum and symmetric response.
AM RF ALIGNMENT					
1	Apply the signal to the AM bar antenna from the RF generator, using the test loop. As per the Figure 15	1400kHz	VTVM to L or R Channel output (JT51 or JV11)	1400kHz	CA49 for maximum output
2		600kHz		600kHz	LO51 for maximum output
3		Repeat step 1 and 2 as necessary to obtain maximum sensitivity.			

AM STOPPING LEVEL OF SCANNING (Mode/Tuning Switch in the Stereo/Auto position)					
Step	Signal Source Connection	Signal Frequency	Indicator Connection	Set the Digital Read out Frequency to:	Adjust:
1	Apply the signal Level of $700\mu\text{V}$ to the AM bar antenna from the RF generator using the test loop as per the Figure 15	1,000 kHz	VTVM to L or R Channel output (JT51 or JV11)	1,000 kHz	RA34 for $700\mu\text{V}$ threshold Level

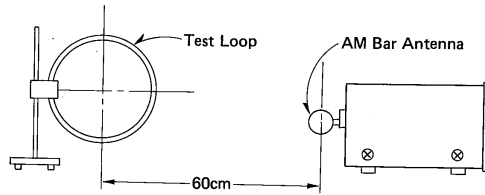


Figure 15

5. VOLTAGE CONVERSION

To convert the unit to a different power source voltage, change the position as illustrated in the drawing below.

CAUTION: DISCONNECT POWER SUPPLY CORD FROM AC OUTLET BEFORE CONVERTING VOLTAGE. DO NOT DISASSEMBLE THE VOLTAGE SELECTOR ABSOLUTELY.

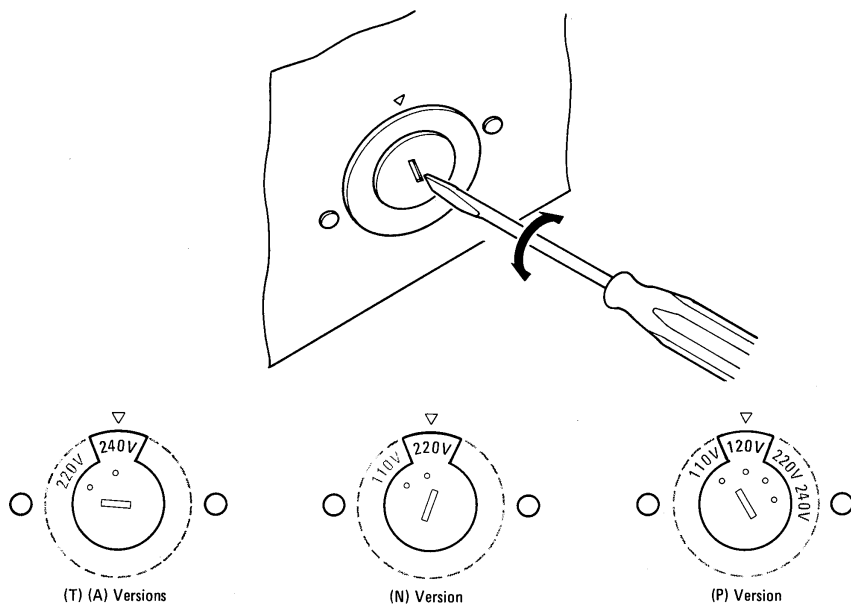


Figure 16. Voltage Conversion

NOTE ON SAFETY: THE PARTS MARKED WITH \triangle ARE IMPORTANT PARTS ON THE SAFETY. PLEASE USE THE PARTS HAVING THE DESIGNATED PARTS NUMBERS WITHOUT FAIL.

FTZ REGULATION

Instruction for the use in the range other than specified in FTZ codes.

Achtung für die Leute, die in dem Gebiet wohnen, wo die FTZ-Bestimmungen vorherrschend sind.

Sollte das Gerät auch für Frequenzen ausserhalb des in den FTZ-Bestimmungen angegebenen Bereiches empfangsbereit sein, bitten wir, den Bereich durch Nachstellen des Kernes in der Oszillatordspule (in der Abbildung mit "FTZ" gekennzeichnet) so zu korrigieren, dass er den Bestimmungen entspricht.

6. DIAGRAM

6.1 BLOCK DIAGRAM

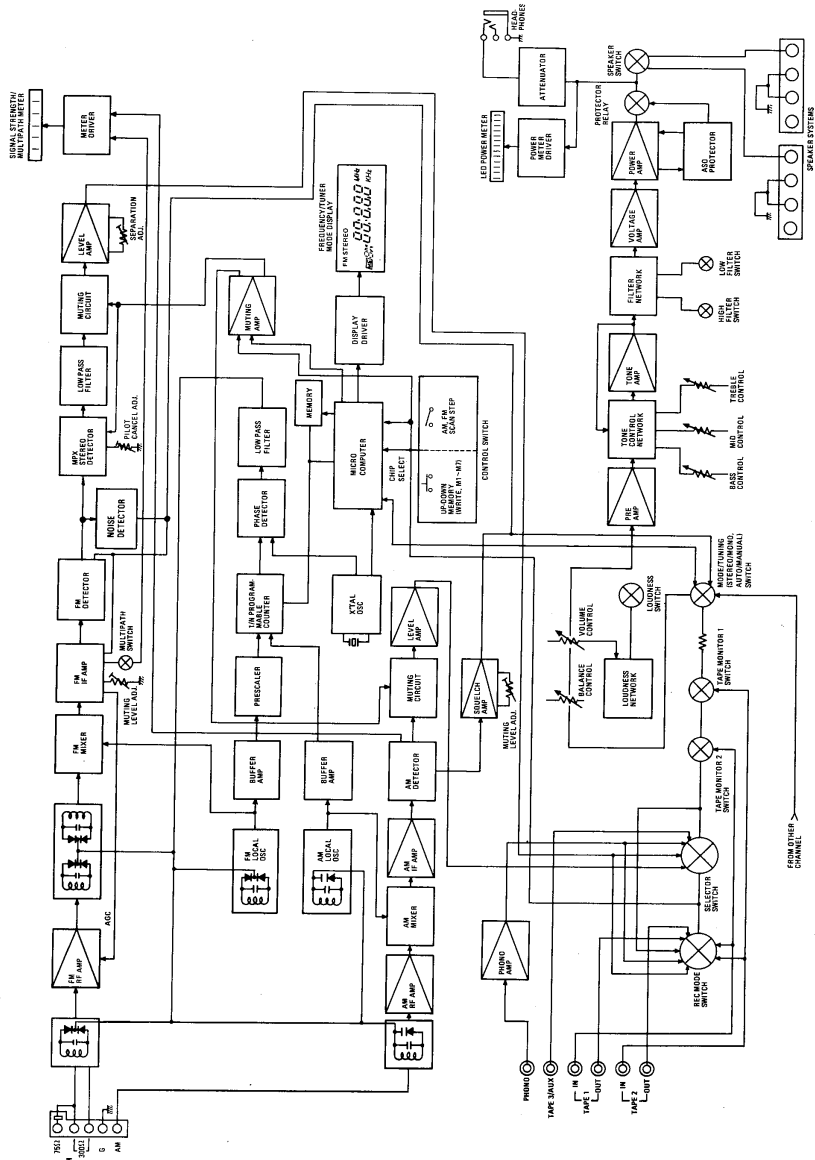
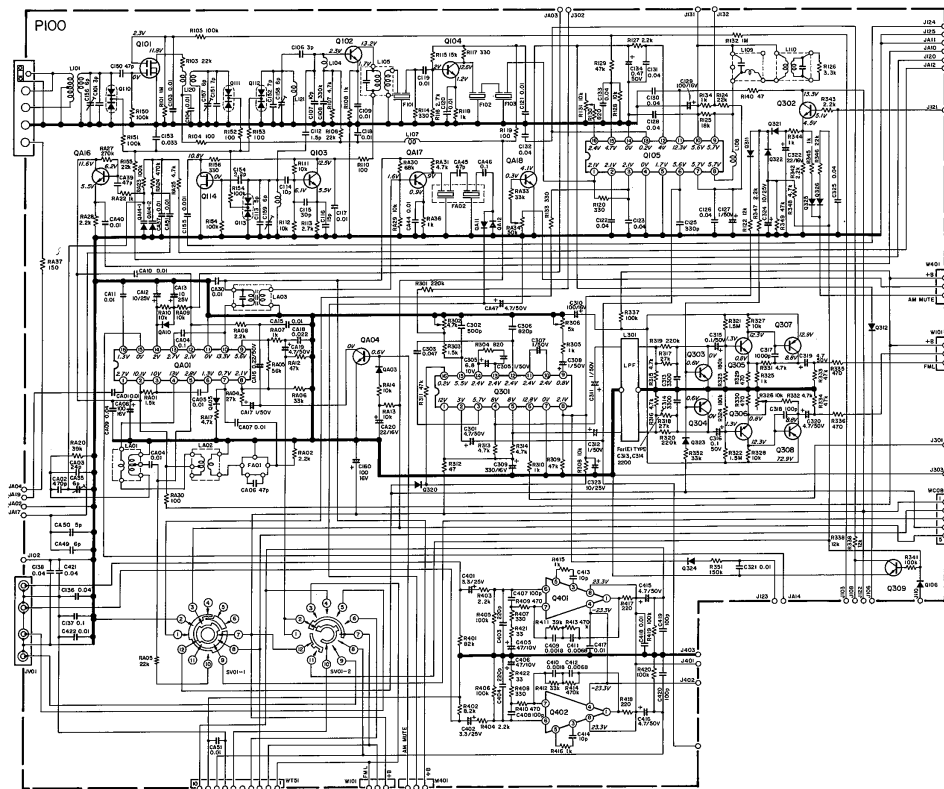
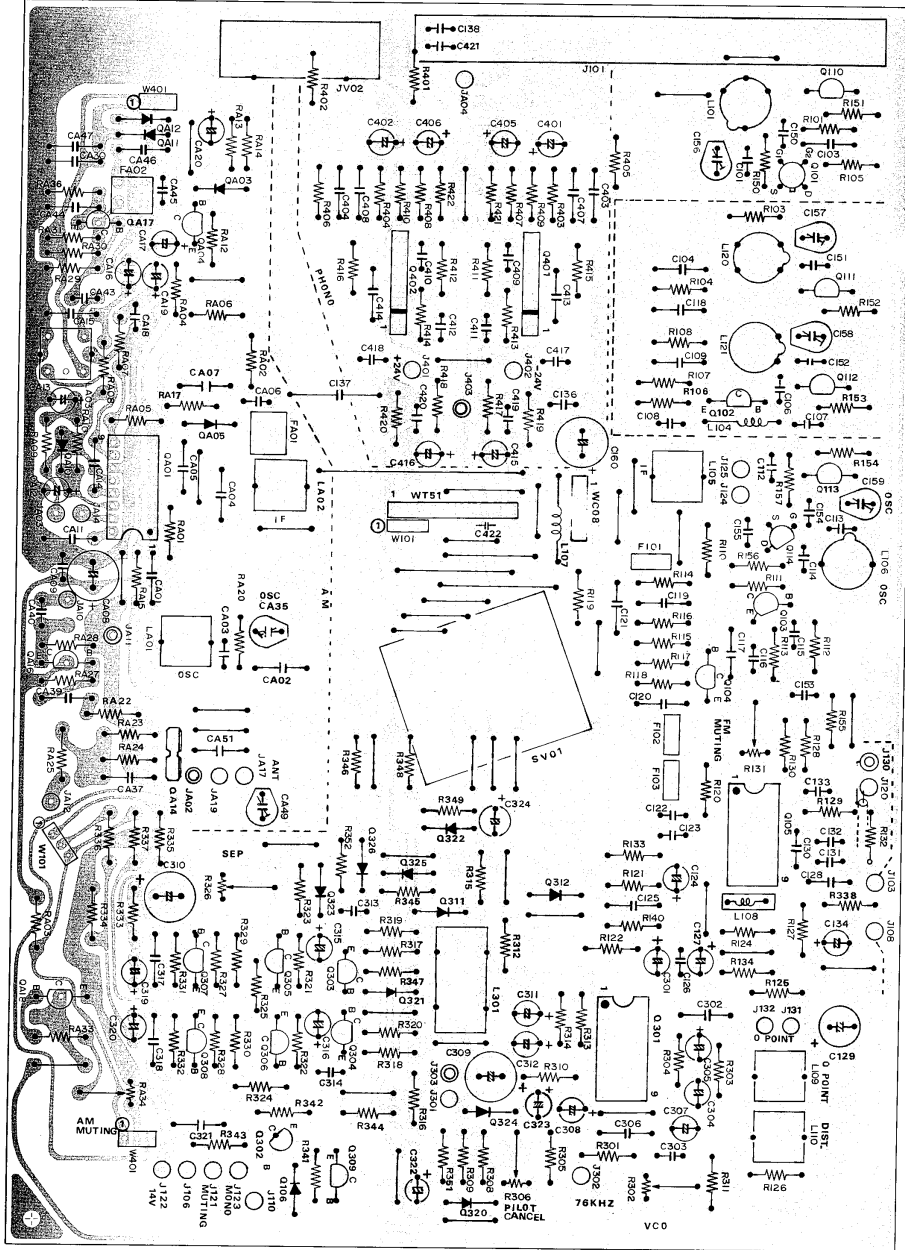


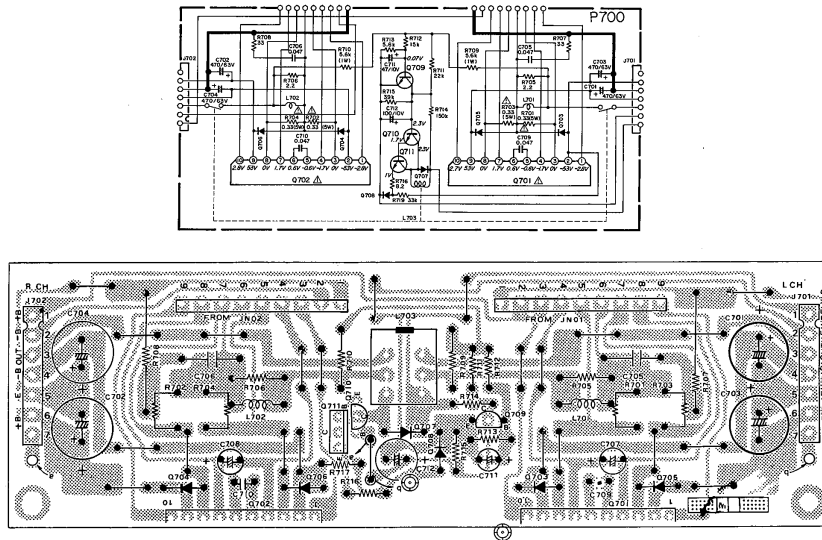
Figure 17

6.2 TUNER/PHONO BOARD SCHEMATIC DIAGRAM AND COMPONENT LOCATIONS - P100

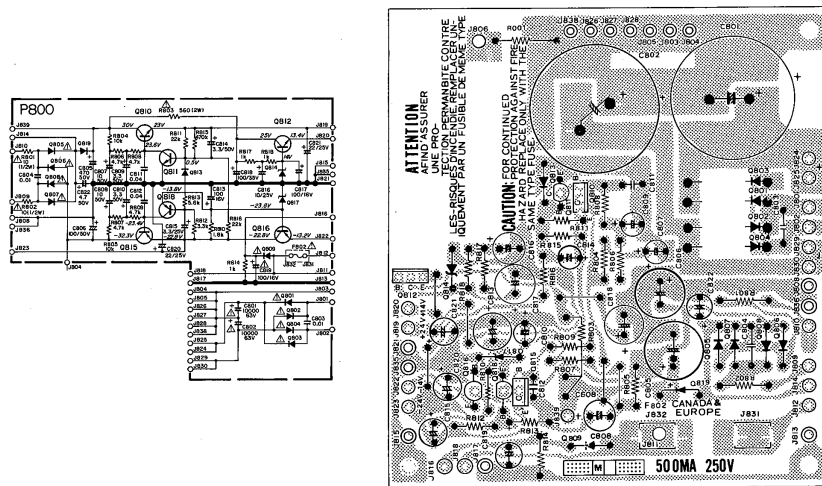




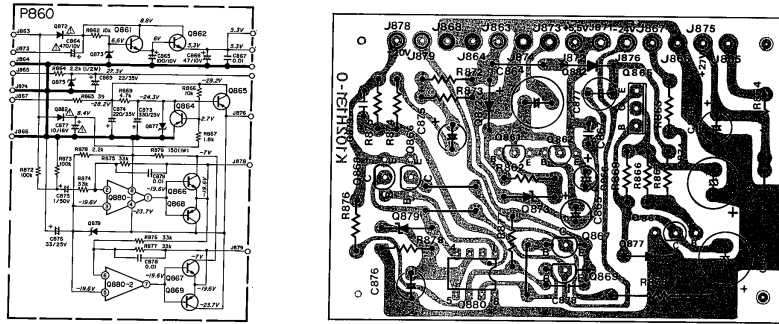
6.3 POWER AMP BOARD SCHEMATIC DIAGRAM AND COMPONENT LOCATIONS - P700



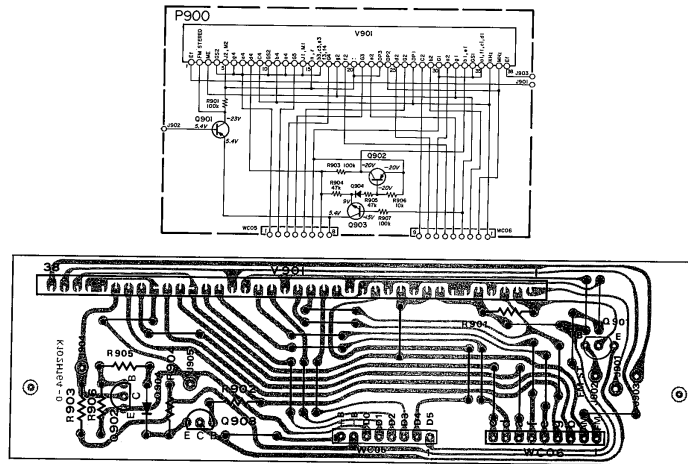
6.4 POWER SUPPLY BOARD SCHEMATIC DIAGRAM AND COMPONENT LOCATIONS - P800



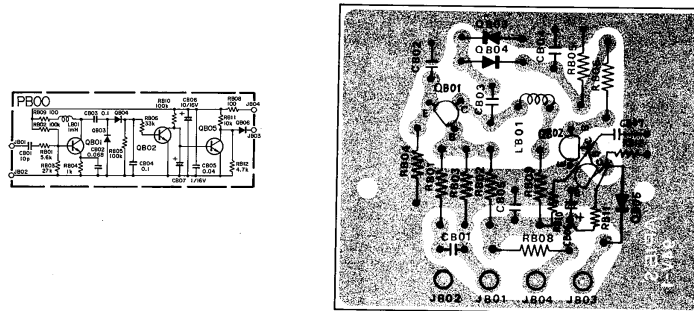
6.5 SUB POWER SUPPLY BOARD SCHEMATIC DIAGRAM AND COMPONENT LOCATIONS - P860



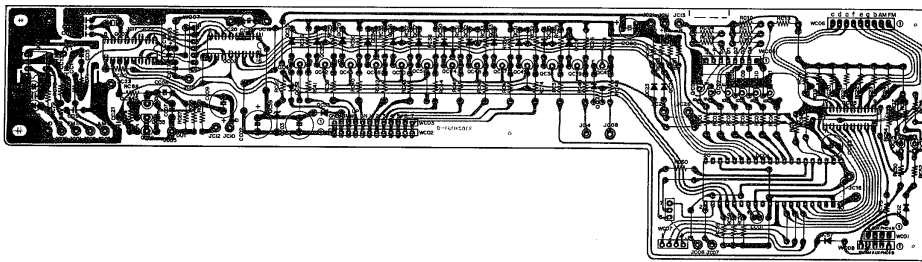
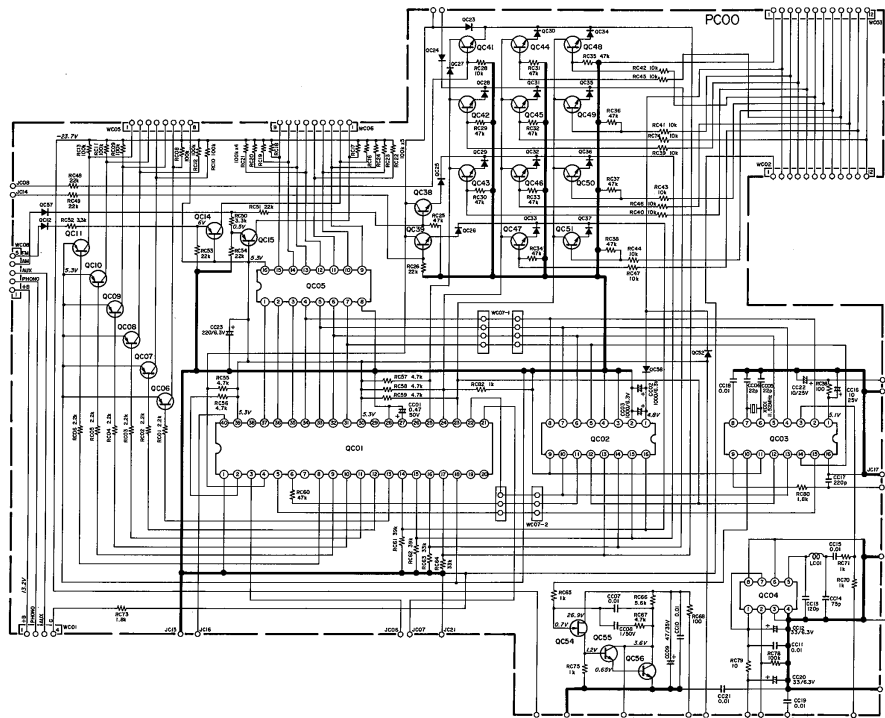
6.6 DISPLAY UNIT BOARD SCHEMATIC DIAGRAM AND COMPONENT LOCATIONS - P900



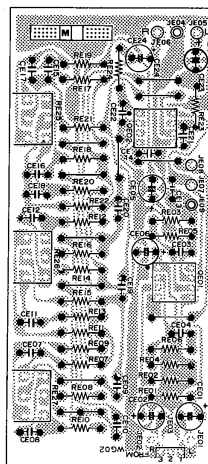
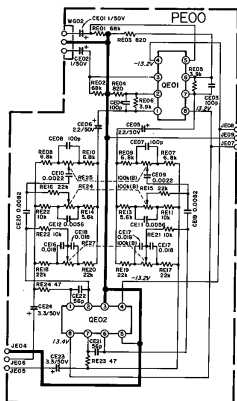
6.7 NOISE AMP BOARD SCHEMATIC DIAGRAM AND COMPONENT LOCATIONS - PB00



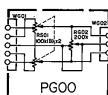
6.8 SYNTHESIZER BOARD SCHEMATIC DIAGRAM AND COMPONENT LOCATIONS - PC00



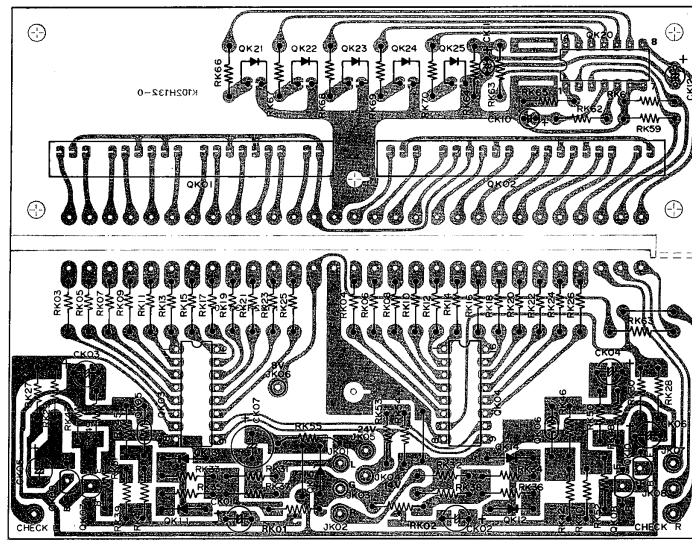
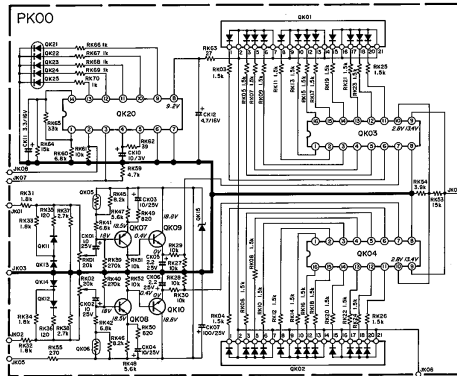
6.9 TONE AMP BOARD SCHEMATIC DIAGRAM AND COMPONENT LOCATIONS - PE00



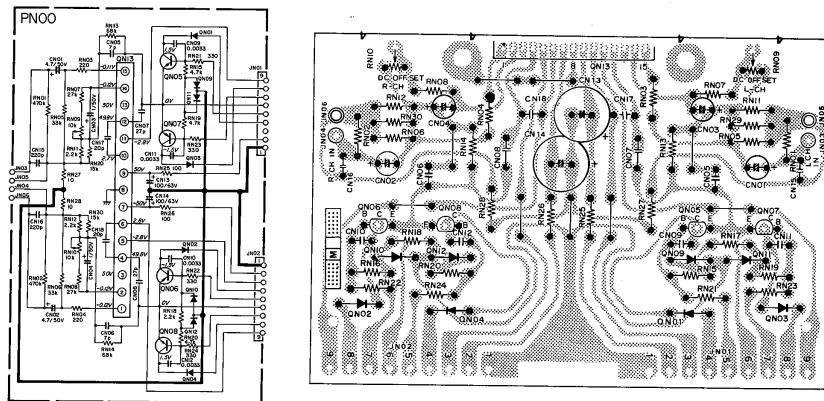
6.10 VOLUME/BALANCE BOARD SCHEMATIC DIAGRAM AND COMPONENT LOCATIONS - PG00



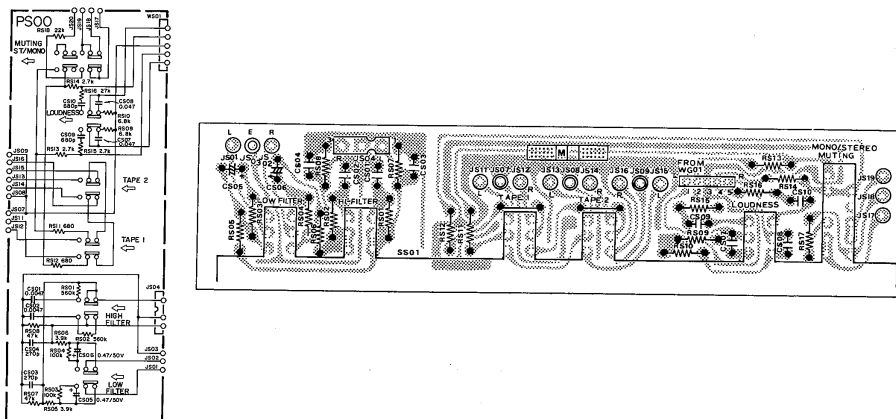
6.11 POWER LEVEL LED BOARD SCHEMATIC DIAGRAM AND COMPONENT LOCATIONS - PK00



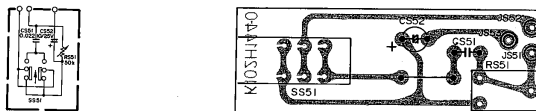
6.12 VOLTAGE AMP BOARD SCHEMATIC DIAGRAM AND COMPONENT LOCATIONS - PN00



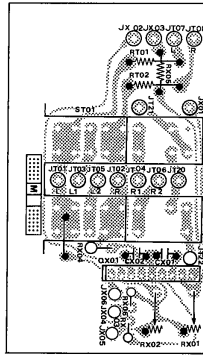
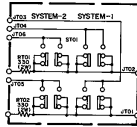
6.13 TAPE/FILTER/LOUDNESS BOARD SCHEMATIC DIAGRAM AND COMPONENT LOCATIONS - PS00



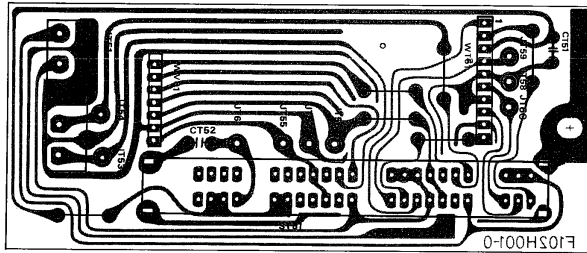
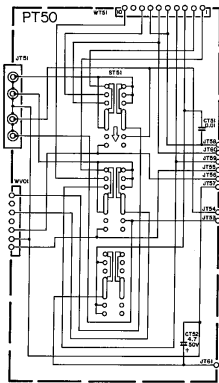
6.14 MULTIPATH BOARD SCHEMATIC DIAGRAM AND COMPONENT LOCATIONS - PS50



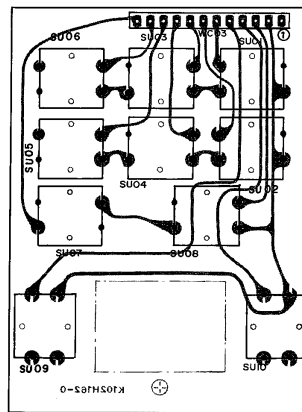
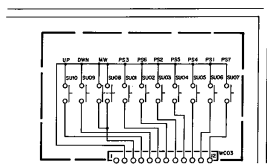
6.15 SPEAKER SWITCH BOARD SCHEMATIC DIAGRAM AND COMPONENT LOCATIONS - PT00



6.16 REC. MODE SWITCH BOARD SCHEMATIC DIAGRAM AND COMPONENT LOCATIONS - PT50



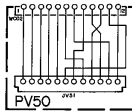
6.17 TUNING KEY BOARD SCHEMATIC DIAGRAM AND COMPONENT LOCATIONS - PU00



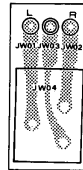
9.18 SCAN STEP BOARD SCHEMATIC DIAGRAM AND COMPONENT LOCATIONS-PT50



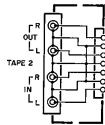
6.19 REMOTE CONT. BOARD SCHEMATIC DIAGRAM AND COMPONENT LOCATIONS - PV50



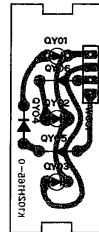
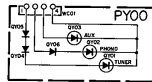
6.20 PHONE JACK BOARD SCHEMATIC DIAGRAM AND COMPONENT LOCATIONS - PW00



6.21 TAPE 2 TERMINAL BOARD SCHEMATIC DIAGRAM AND COMPONENT LOCATIONS - PV00

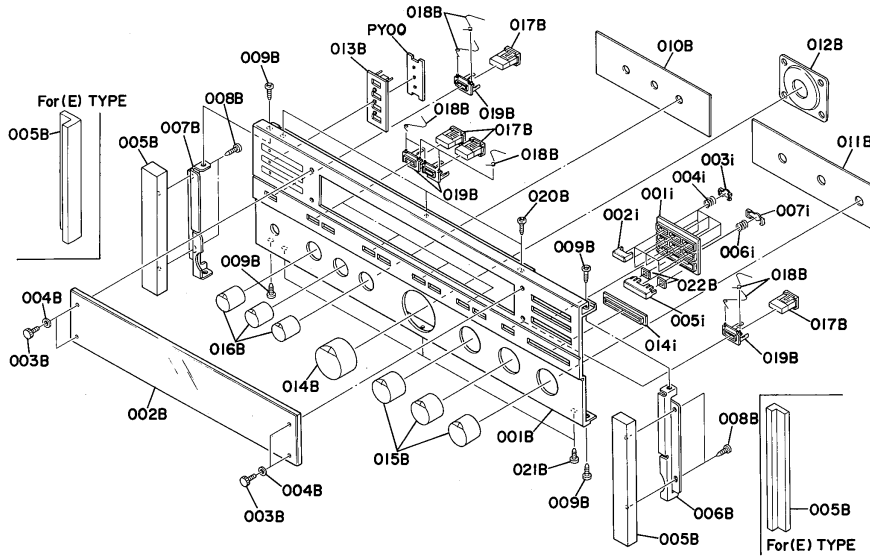


6.22 FUNCTION INDICATOR BOARD SCHEMATIC DIAGRAM AND COMPONENT LOCATIONS - PY00



7. EXPLODED VIEWS AND PARTS LIST

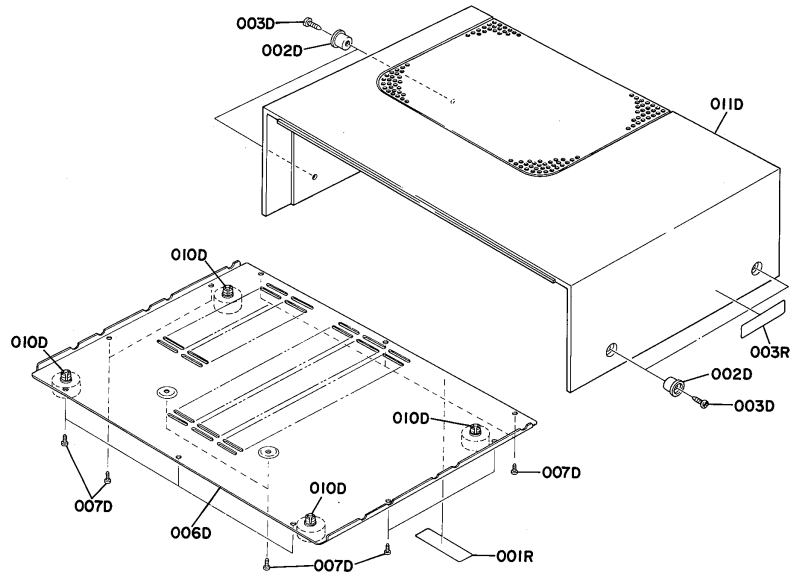
7.1 [C01-99] FRONT PANEL



- (U): for U.S.A.
- (C): for Canada
- (E): for Europe

REF. DESIG.	Q'TY			PART NO.	DESCRIPTION
	U	C	E		
A	1	1		102H063400	Front Panel Assembly
A1	1	1		102H063410	Front Panel Assembly
001B	1	1	1	102H063010	Escutcheon, Front Panel
002B	1	1	1	102H158010	Window
003B	4	4	4	4279112020	Shaft
004B	4	4	4	59046502G9	Washer
005B	2	2		2112063040	Escutcheon, Wood
005B	2	2		2112063050	Escutcheon, A.L.
006B	1	1	1	102H160020	Bracket (R)
007B	1	1	1	102H160030	Bracket (L)
008B	4	4		51400310A9	B.H. Tapped Screw B3 x 10
008B	4	4		51280306B0	B.H. Tapped Screw B3 x 6
009B	4	4	4	51280308B0	B.H. Tapped Screw B3 x 8
010B	1	1	1	102H303010	Mask
011B	1	1	1	102H303020	Mask
012B	1	1	1	102H063020	Escutcheon, Volume
013B	1	1	1	102H355010	Lens
019B	10	10	10	2127259010	Bushing, Push Button
001i	1	1	1	2137259010	Bushing, Preset Tuning
002i	7	7	7	2137154010	Knob
003i	7	7	7	2137005010	Clamper
004i	7	7	7	2137115010	Spring
005i	1	1	1	2137154020	Knob, Memory
006i	1	1	1	2137005020	Clamper
007i	1	1	1	2137115110	Spring
014i	1	1	1	2137259020	Bushing
014B	1	1	1	102H154010	Knob, Volume
015B	3	3	3	102H154020	Knob, Selector
016B	3	3	3	102H154030	Knob, Tone
017B	10	10	10	2127154010	Knob, Push Button
018B	20	20	20	2127115010	Spring
020B	3	3	3	51300308B0	B.H. Tapped Screw B3 x 8
021B	3	3	3	51280308B0	B.H. Tapped Screw B3 x 8
022B	2	2	2	102H118040	Knob, Memory

7.2 [C02-99] TOP COVER

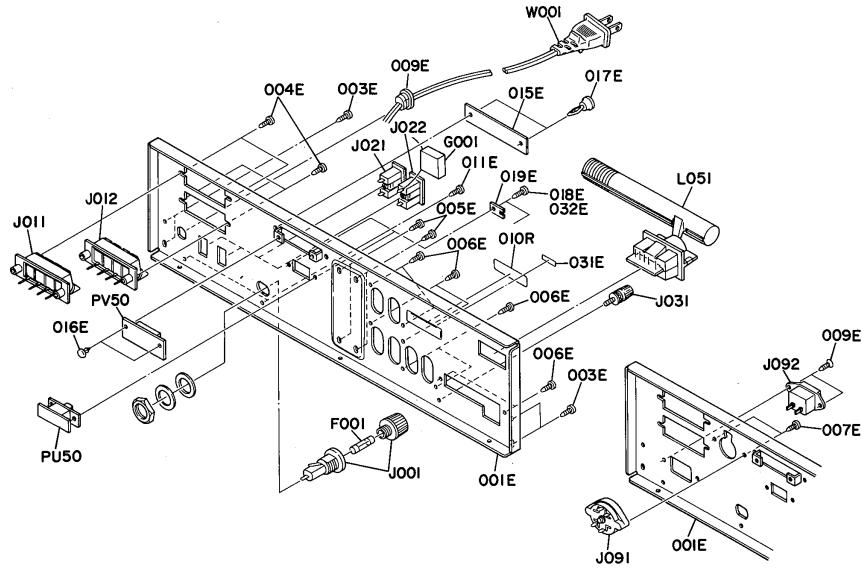


- (U): for U.S.A.
- (C): for Canada
- (E): for Europe

REF. DESIG.	Q'TY			PART NO.	DESCRIPTION
	U	C	E		
002D	4	4	4	3906259010	Bushing
003D	4	4	4	51280414U0	B.H. Tapped Screw B4 x 14
006D	1	1	1	2116257110	Lid, Bottom Cover
007D	12	12	12	51280410U0	B.H. Tapped Screw B4 x 10
010D	4	4	4	2259057010	Leg
011D	1	1	1	102H064500	Case, Wood Cabinet (K)

REF. DESIG.	Q'TY			PART NO.	DESCRIPTION
	U	C	E		
001R	1		1	2578861010	Label
001R		1		2911861110	Label
003R	1		1	2932861010	Label
003R		1		2911861140	Label

7.3 [C03-99] REAR PANEL

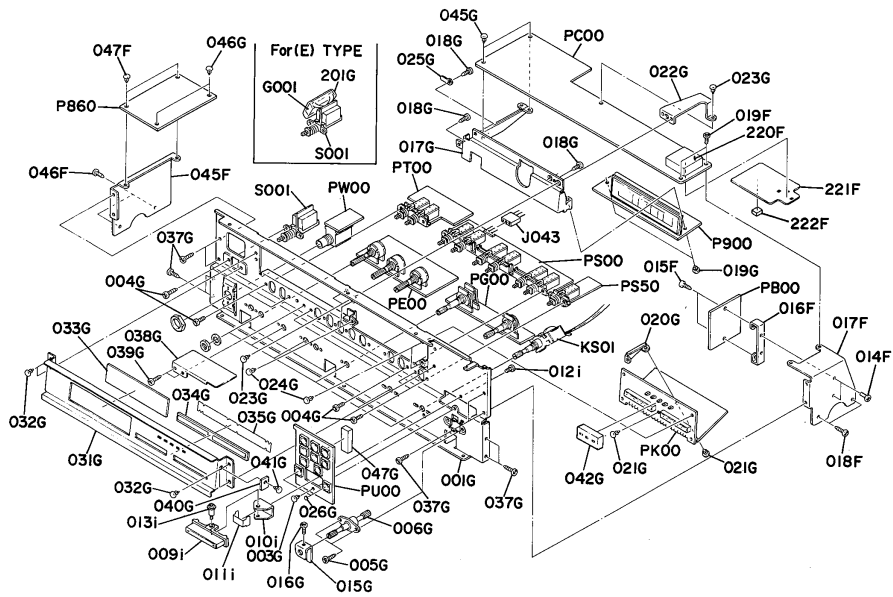


- (U): for U.S.A.
- (C): for Canada
- (E): for Europe

REF. DESIG.	QTY			PART NO.	DESCRIPTION
	U	C	E		
001E	1			102H160210	Bracket, Rear Panel
001E	1	1		102H160220	Bracket, Rear Panel
001E			1	102H160230	Bracket, Rear Panel
003E	4	4	4	51280308U0	B.H. Tapped Screw B3 x 8
004E	4	4	4	51280308U0	B.H. Tapped Screw B3 x 8
005E	4	4	4	51280308U0	B.H. Tapped Screw B3 x 8
006E	8	8	8	51280308U0	B.H. Tapped Screw B3 x 8
007E			2	51280308U0	B.H. Tapped Screw B3 x 8
009E	1	1		1455259030	Bushing
009E			2	51420308T0	O.C.H. Tapped Screw 3 x 8
011E	2	2	2	51280308U0	B.H. Tapped Screw B3 x 8
015E	1	1	1	102H053010	Cover
016E	2	2	2	2276005050	Clamper
017E	2	2	2	102H005010	Clamper
018E	2	2	2	51100308S9	B.H.M. Screw B3 x 8
019E	1	1	1	2137114010	Stopper
031E			1	4581861010	Label
032E			2	51100308S9	B.H.M. Screw B3 x 8
010R	1	1	1	2112265010	Indicator

REF. DESIG.	QTY			PART NO.	DESCRIPTION
	U	C	E		
Δ F001	1			FS10500040	Fuse 5A 250V
Δ F001	1	1		FS1050006-0	Fuse 5A 250V
Δ F001	1		1	FS10250800	Fuse 2.5AT 250V
Δ G001	1			BF10400030	Spark Killer
Δ G001	1	1		BF10400050	Spark Killer
Δ J001	1			YJ08000310	Jack, Fuse Holder
Δ J001	1			YJ08000300	Jack, Fuse Holder
Δ J001	1		1	YJ08000290	Jack, Fuse Holder
J011	1	1	1	YT03040170	Terminal, Speaker
J012	1	1	1	YT03040170	Terminal, Speaker
Δ J021	1	1		YJ04000560	Jack, AC Outlet
Δ J022	1	1		YJ04000560	Jack, AC Outlet
J031	1	1	1	YL03010250	Terminal, GND
Δ J091	1		1	BY05080010	Voltage Selector
Δ J092	1		1	YP04000590	Plug, AC Inlet
L051	1	1	1	LF11200640	Antenna Coil
Δ W001	1	1	1	YC02000150	A.C. Power Cord

7.4 [P01-99] FRONT CHASSIS AND GENERAL PARTS

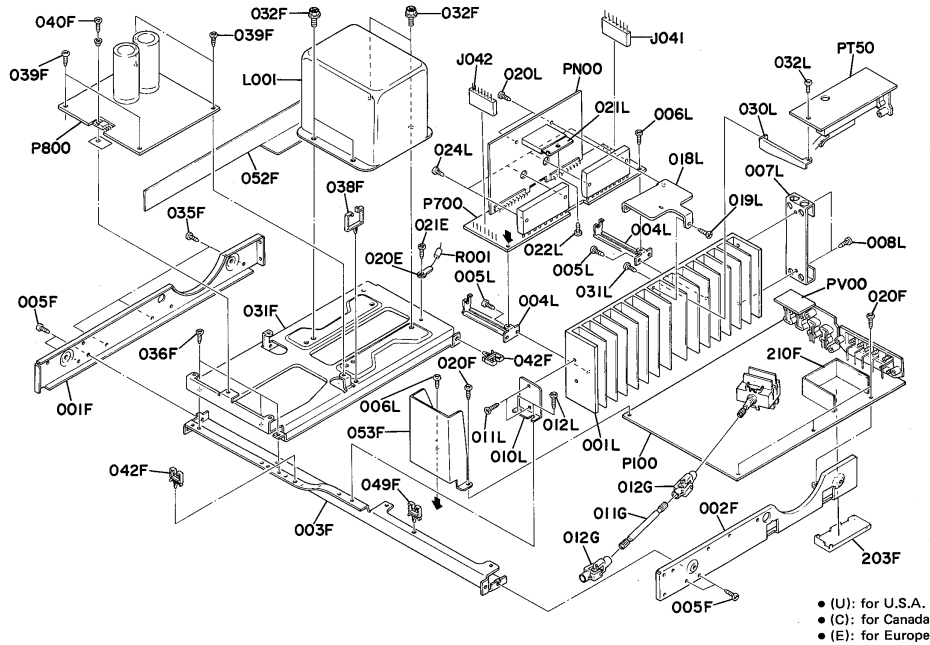


- (U): for U.S.A.
- (C): for Canada
- (E): for Europe

REF. DESIG.	Q'TY			PART NO.	DESCRIPTION
	U	C	E		
014F	2	2	2	51100306A9	B.H.M. Screw B3 x 6
015F	2	2	2	51100306A9	B.H.M. Screw B3 x 6
016F	1	1	1	3889160110	Bracket
017F	1	1	1	102H160050	Bracket
018F	2	2	2	51280308B0	B.H. Tapped Screw B3 x 8
019F	2	2	2	51100308A9	B.H.M. Screw B3 x 8
045F	1	1	1	102H160150	Bracket
046F	2	2	2	51280308B0	B.H. Tapped Screw B3 x 8
047F	2	2	2	2276005050	Clamper
220F	1	1	1	2137109030	Shield
221F	1	1	1	102H109060	Shield
222F	1	1	1	102H118010	Spacer
001G	1	1	1	102H160010	Bracket, Front Chassis
003G	1	1	1	2276005050	Clamper
004G	8	8	8	51100308A9	B.H.M. Screw B3 x 8
005G	2	2	2	51280308B0	B.H. Tapped Screw B3 x 8
006G	1	1	1	102H112500	Shaft
015G	1	1	1	102H114010	Stopper
016G	1	1	1	51064019A9	P.H.M. Screw
017G	1	1	1	102H160060	Bracket
018G	3	3	3	2276005050	Clamper
019G	2	2	2	2276005050	Clamper
020G	1	1	1	102H160080	Bracket
021G	2	2	2	2276005050	Clamper
022G	1	1	1	102H160090	Bracket
023G	3	3	3	2276005050	Clamper
024G	4	4	4	2276005050	Clamper

REF. DESIG.	Q'TY			PART NO.	DESCRIPTION
	U	C	E		
025G	1	1	1	62030049W0	Lug
026G	2	2	2	3653120110	Insulator
031G	1	1	1	102H274010	Reflector
032G	4	4	4	2912259020	Clamper
033G	1	1	1	2137158020	Window
034G	1	1	1	2116355010	Lens
035G	1	1	1	2116303010	Mask
037G	8	8	8	51280308B0	B.H. Tapped Screw B3 x 8
038G	1	1	1	102H109090	Shield
039G	2	2	2	51280308B0	B.H. Tapped Screw B3 x 8
040G	1	1	1	102H303030	Mask
041G	1	1	1	2912259020	Bushing
042G	1	1	1	102H303040	Mask
045G	2	2	2	2276005050	Clamper
046G	2	2	2	2276005050	Clamper
047G	1	1	1	102H118030	Spacer
201G	1	1	1	2219120010	Insulator
009i	1	1	1	2137154030	Knob, Tuning
010i	1	1	1	2137160020	Bracket
011i	1	1	1	2137115020	Spring
012i	1	1	1	51100306A9	B.H.M. Screw B3 x 6
013i	1	1	1	4367112180	Shaft
△S001	1	1	1	SP01010240	Push Switch, Power
△S001	1	1	1	SP02010330	Push Switch, Power
△G001	1	1	1	DF17223800	Film Cap. 0.022μF ±20%
J043	1	1	1	YJ06001040	Jack, (3P)
KS01	1	1	1	SR06050200	Rotary Switch (K) Mode

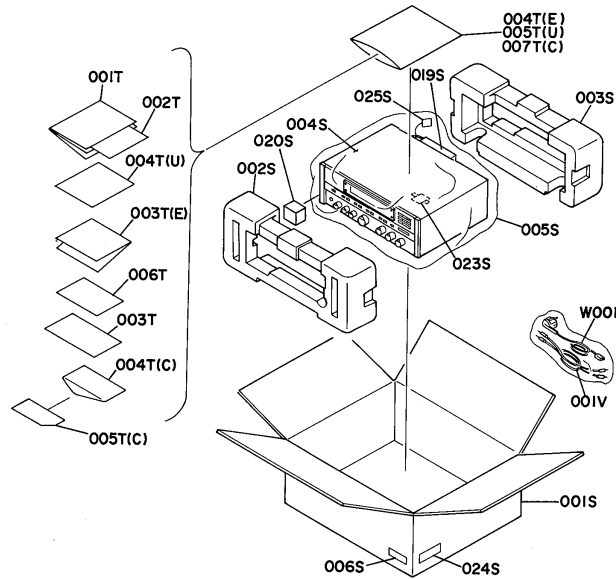
7.5 [P02-99] CHASSIS AND OTHER PARTS



REF. DESIG.	QTY			PART NO.	DESCRIPTION
	U	C	E		
020E	1	1		62030039W0	Lug
021E	1	1		51280306B0	B.H. Tapped Screw B3 x 6
001F	1	1	1	2116126010	Stay (L)
002F	1	1	1	2116126020	Stay (R)
003F	1	1	1	2116126030	Stay, Center
005F	4	4	4	51280308B0	B.H. Tapped Screw B3 x 8
020F	4	4	4	51280308B0	B.H. Tapped Screw B3 x 8
031F	1	1	1	2116004010	Table, Transformer
032F	4	4	4	52040410A0	H. Head Bolt, S.F H4 x 10
035F	3	3	3	51280308B0	B.H. Tapped Screw B3 x 8
036F	3	3	3	51280308B0	B.H. Tapped Screw B3 x 8
038F	1	1	1	2886005020	Clamper
039F	4	4	4	51260308B0	Screw 3 x 8
040F	1	1	1	51100308A9	B.H.M. Screw B3 x 8
042F	2	2	2	2886005020	Clamper
049F	1	1	1	2886005020	Clamper
052F	1	1	1	102H118020	Spacer
053F	1	1	1	102H109080	Shield
203F	1	1	1	2112109010	Shield
210F	1	1	1	2137109010	Shield
011G	1	1	1	102H112020	Shaft
012G	2	2	2	2258125510	Joint, (K)

REF. DESIG.	QTY			PART NO.	DESCRIPTION
	U	C	E		
001L	1	1	1	102H267010	Heatsink
004L	2	2	2	2116160040	Bracket
005L	2	2	2	51280308B0	B.H. Tapped Screw B3 x 8
006L	2	2	2	51260308B0	Screw 3 x 8
007L	1	1	1	2116160070	Bracket
008L	2	2	2	51280308B0	B.H. Tapped Screw B3 x 8
010L	1	1	1	2276160040	Bracket
011L	2	2	2	51280308B0	B.H. Tapped Screw B3 x 8
012L	2	2	2	51280308B0	B.H. Tapped Screw B3 x 8
018L	1	1	1	2116267020	Heatsink
019L	1	1	1	51280310B0	B.H. Tapped Screw B3 x 10
020L	2	2	2	51260308B0	Screw 3 x 8
021L	1	1	1	2116115010	Spring
022L	1	1	1	51280308B0	B.H. Tapped Screw B3 x 8
024L	4	4	4	51780316B0	Screw 3 x 16
030L	1	1	1	102H160110	Bracket
031L	1	1	1	51280310B0	B.H. Tapped Screw B3 x 10
032L	1	1	1	51280308B0	B.H. Tapped Screw B3 x 8
△L001	1	1		TS18505010	Power Transformer
△L001	1	1		TS18505020	Power Transformer
△L001	1	1		TS19611010	Power Transformer
R001	1	1	1	RC10225120	Resistor 2.2MΩ ±10% ¼W
J041	1	1	1	YJ06001260	Jack, (7P)
J042	1	1	1	YJ06001260	Jack, (7P)

7.6 [H01-99] PACKING MATERIALS



- (U): for U.S.A.
- (C): for Canada
- (E): for Europe

REF. DESIG.	QTY			PART NO.	DESCRIPTION
	U	C	E		
001T	1			102H851010	Instructions
001T		1	1	102H851310	Instructions
002T	1			102H851020	Instructions
002T		1		102H851220	Instructions
002T		1		102H851320	Instructions
003T	1			2818854020	Guarantee Card
003T		1		2818854030	Guarantee Card
003T			1	102H856010	Circuit Diagram
004T	1			2225813010	Envelope
004T		1		2918813010	Envelope
004T			1	9013025010	Polyethy Bag
005T	1			9013025010	Polyethy Bag
005T		1		9630000180	Guarantee Card
006T		1		9650000050	S. Station Card
007T		1		9013025010	Polyethy Bag

REF. DESIG.	QTY			PART NO.	DESCRIPTION
	U	C	E		
001S	1	1		102H801010	Packing Case
001S			1	102H801020	Packing Case
002S	1	1	1	2112809010	Cushion
003S	1	1	1	2112809020	Cushion
004S	1	1	1	2918107260	Sheet
005S	1	1	1	9090909040	Polyethy Sheet
006S	3			9526019010	Serial No. Card
006S		3		9526019020	Serial No. Card
006S		3		9526019060	Serial No. Card
019S	1	1	1	2864804010	Sleeve
020S	1	1	1	102H809010	Cushion
023S		1		2731821010	Silicagel
024S		2		9510901020	Label
025S		1		9560000040	Hang Tag
ΔW001			1	ZC01805020	A.C. Power Cord
001V	1	1	1	ZA02000070	EXT. Antenna

7.7 ELECTRICAL PARTS

• (U): for U.S.A.
 • (C): for Canada
 • (E): for Europe

REF. DESIG.	Q'TY			PART NO.	DESCRIPTION
	U	C	E		
P100	1	1	1	YK102H1410	P100-TUNER/PHONO AMP. CIRCUIT BOARD
	1	1	1	ZZ102H1410	P.W. Board, Tuner/Phono Amp.
	1	1	1	ZZ102H8410	P.W. Board Assembly
P100-CAPACITORS					
CA01	1	1	1	DA17103010	Ceramic 0.01μF ±20%
CA02	1	1	1	DF65471090	Film 470pF ±5%
CA03	1	1	1	DD15150360	Ceramic 15pF ±5%
CA04	1	1	1	DA17103010	Ceramic 0.01μF ±20%
CA05	1	1	1	DA17103010	Ceramic 0.01μF ±20%
CA06	1	1	1	DD15470370	Ceramic 47pF ±5%
CA07	1	1	1	DA17103010	Ceramic 0.01μF ±20%
CA08	1	1	1	EA10701630	Elect 100μF 16V
CA09	1	1	1	DK18403320	Ceramic 0.04μF +80% -20%
CA10	1	1	1	DK17103300	Ceramic 0.01μF ±20%
CA11	1	1	1	DA17103010	Ceramic 0.01μF ±20%
CA12	1	1	1	EA10602530	Elect 10μF 25V
CA13	1	1	1	EA10602530	Elect 10μF 25V
CA14	1	1	1	DA17103010	Ceramic 0.01μF ±20%
CA15	1	1	1	DA17103010	Ceramic 0.01μF ±20%
CA16	1	1	1	EA22405030	Elect 0.22μF 50V
CA17	1	1	1	EA10505030	Elect 1μF 50V
CA18	1	1	1	DK18223310	Ceramic 0.022μF +80% -20%
CA19	1	1	1	EA47405030	Elect 0.47μF 50V
CA20	1	1	1	EA22601630	Elect 22μF 16V
CA30	1	1	1	DA17103010	Ceramic 0.01μF ±20%
CA35	1	1	1	CT12000090	Trimming 20pF
CA37	1	1	1	DA17103010	Ceramic 0.01μF ±20%
CA39	1	1	1	DA15470010	Ceramic 47pF ±5%
CA40	1	1	1	DK17103300	Ceramic 0.01μF ±20%
CA43	1	1	1	DD15470370	Ceramic 47pF ±5%
CA44	1	1	1	DA17103010	Ceramic 0.01μF ±20%
CA45	1	1	1	DD15470370	Ceramic 47pF ±5%
CA46	1	1	1	DA17103010	Ceramic 0.01μF ±20%
CA47	1	1	1	EA10505030	Elect 1μF 50V
CA49	1	1	1	CT10600090	Trimming 5pF
CA50	1	1	1	DD10050320	Ceramic 5pF ±0.25pF
CA51	1	1	1	DA17103010	Ceramic 0.01μF ±20%
C101	1	1	1	DD10030300	Ceramic 3pF ±0.25pF
C103	1	1	1	DA17103010	Ceramic 0.01μF ±20%
C104	1	1	1	DA17103010	Ceramic 0.01μF ±20%
C106	1	1	1	DD10030370	Ceramic 3pF ±0.25pF
C107	1	1	1	DD11100370	Ceramic 10pF ±0.5pF
C108	1	1	1	DK16331300	Ceramic 330pF ±10%
C109	1	1	1	DA17103010	Ceramic 0.01μF ±20%
C112	1	1	1	DD10015370	Ceramic 1.5pF ±0.25pF
C113	1	1	1	DD10030300	Ceramic 3pF ±0.25pF
C114	1	1	1	DD11100300	Ceramic 10pF ±0.5pF
C115	1	1	1	DD15300300	Ceramic 30pF ±5%
C116	1	1	1	DD15150300	Ceramic 15pF ±5%
C117	1	1	1	DA17103010	Ceramic 0.01μF ±20%
C118	1	1	1	DA17103010	Ceramic 0.01μF ±20%
C119	1	1	1	DA17103010	Ceramic 0.01μF ±20%
C120	1	1	1	DA17103010	Ceramic 0.01μF ±20%
C121	1	1	1	DA17103010	Ceramic 0.01μF ±20%
C122	1	1	1	DK18403320	Ceramic 0.04μF +80% -20%
C123	1	1	1	DK18403320	Ceramic 0.04μF +80% -20%
C125	1	1	1	DA16331010	Ceramic 330pF ±10%
C126	1	1	1	DK18403320	Ceramic 0.04μF +80% -20%
C127	1	1	1	EA47405090	Elect 0.47μF 50V
C128	1	1	1	DK18403320	Ceramic 0.04μF +80% -20%
C129	1	1	1	EA10701630	Elect 100μF 16V

REF. DESIG.	Q'TY			PART NO.	DESCRIPTION
	U	C	E		
C130	1	1	1	DK18403320	Ceramic 0.04μF +80% -20%
C131	1	1	1	DK18403320	Ceramic 0.04μF +80% -20%
C132	1	1	1	DK18403320	Ceramic 0.04μF +80% -20%
C133	1	1	1	DK18403320	Ceramic 0.04μF +80% -20%
C134	1	1	1	EA47405030	Elect 0.47μF 50V
C136	1	1	1	DK18403320	Ceramic 0.04μF +80% -20%
C137	1	1	1	DK18104010	Ceramic 0.1μF +80% -20%
C138	1	1	1	DK18403320	Ceramic 0.04μF +80% -20%
C150	1	1	1	DD15470370	Ceramic 47pF ±5%
C151	1	1	1	DD10070300	Ceramic 7pF ±0.25pF
C152	1	1	1	DD10070300	Ceramic 7pF ±0.25pF
C153	1	1	1	DF17333300	Film 0.033μF ±20%
C154	1	1	1	DD10020300	Ceramic 2pF ±0.25pF
C155	1	1	1	DK16102300	Ceramic 100pF ±10%
C156	1	1	1	CT10600090	Trimming 5pF
C157	1	1	1	CT10600090	Trimming 5pF
C158	1	1	1	CT10600090	Trimming 5pF
C159	1	1	1	CT10600090	Trimming 5pF
C160	1	1	1	EA10701630	Elect 100μF 16V
C301	1	1	1	EA47505030	Elect 4.7μF 50V
C302	1	1	1	DF65501010	Film 50pF ±5%
C303	1	1	1	DF15473300	Film 0.047μF ±5%
C304	1	1	1	EQ10505010	Elect 1μF 50V
C305	1	1	1	EV68501060	Elect 6.8μF 10V
C306	1	1	1	DF65621010	Film 82pF ±5%
C307	1	1	1	EQ10505010	Elect 1μF 50V
C308	1	1	1	EA10505030	Elect 1μF 50V
C309	1	1	1	EA33701630	Elect 330μF 16V
C310	1	1	1	EA10701630	Elect 100μF 16V
C311	1	1	1	EA10505030	Elect 1μF 50V
C312	1	1	1	EA10505030	Elect 1μF 50V
C313	1	1	1	DF15222300	Film 2200μF ±5%
C313	1	1	1	DF15332300	Film 3300μF ±5%
C314	1	1	1	DF15222300	Film 2200μF ±5%
C314	1	1	1	DF15332300	Film 3300μF ±5%
C315	1	1	1	EA10405030	Elect 0.1μF 50V
C316	1	1	1	EA10405030	Elect 0.1μF 50V
C317	1	1	1	DA15101010	Ceramic 100pF ±5%
C318	1	1	1	DA15101010	Ceramic 100pF ±5%
C319	1	1	1	EA47505030	Elect 4.7μF 50V
C320	1	1	1	EA47505030	Elect 4.7μF 50V
C321	1	1	1	DF17104300	Film 0.1μF ±20%
C322	1	1	1	EA22601630	Elect 22μF 16V
C323	1	1	1	EA47503530	Elect 4.7μF 35V
C324	1	1	1	EA10602530	Elect 10μF 25V
C325	1	1	1	DK18403320	Ceramic 0.04μF +80% -20%
C401	1	1	1	EE33502540	Elect 3.3μF 25V
C402	1	1	1	EE33502540	Elect 3.3μF 25V
C403	1	1	1	DA16221010	Ceramic 220pF ±10%
C404	1	1	1	DA16221010	Ceramic 220pF ±10%
C405	1	1	1	EA47601030	Elect 47μF 10V
C406	1	1	1	EA47601030	Elect 47μF 10V
C407	1	1	1	DA15101010	Ceramic 100pF ±5%
C408	1	1	1	DA15101010	Ceramic 100pF ±5%
C409	1	1	1	DF15182300	Film 1800pF ±5%
C410	1	1	1	DF15182300	Film 1800pF ±5%
C411	1	1	1	DF15682300	Film 6800pF ±5%
C412	1	1	1	DF15682300	Film 6800pF ±5%
C413	1	1	1	DA15100010	Ceramic 10pF ±5%
C414	1	1	1	DA15100010	Ceramic 10pF ±5%
C415	1	1	1	EA47505030	Elect 4.7μF 50V
C416	1	1	1	EA47505030	Elect 4.7μF 50V
C417	1	1	1	DK17103300	Ceramic 0.01μF ±20%
C418	1	1	1	DK17103300	Ceramic 0.01μF ±20%
C419	1	1	1	DK16101300	Ceramic 100pF ±10%
C420	1	1	1	DK16101300	Ceramic 100pF ±10%
C421	1	1	1	DK18403320	Ceramic 0.04μF +80% -20%
C422	1	1	1	DK17103300	Ceramic 0.01μF ±20%

- (U): for U.S.A.
- (C): for Canada
- (E): for Europe

REF. DESIG.	Q'TY			PART NO.	DESCRIPTION
	U	C	E		
P100-RESISTORS (All Resistors are $\pm 5\%$ and $\frac{1}{4}W$)					
RA01	1	1	1	GD05152140	1.5K Ω
RA02	1	1	1	GD05222140	2.2K Ω
RA03	1	1	1	GG05101140	100 Ω
RA04	1	1	1	GD05273140	27K Ω
RA04	1	1	1	GD05223140	22K Ω
RA05	1	1	1	GD05563140	56K Ω
RA06	1	1	1	GD05333140	33K Ω
RA07	1	1	1	GD05102140	1K Ω
RA08	1	1	1	GD05222140	2.2K Ω
RA09	1	1	1	GD05103140	10K Ω
RA10	1	1	1	GD05103140	10K Ω
RA12	1	1	1	GD05223140	22K Ω
RA13	1	1	1	GD05103140	10K Ω
RA14	1	1	1	GD05103140	10K Ω
RA15	1	1	1	GD05223140	22K Ω
RA17	1	1	1	GD05473140	47K Ω
RA20	1	1	1	GD05393140	39K Ω
RA22	1	1	1	GD05102140	1K Ω
RA23	1	1	1	GD05104140	100K Ω
RA24	1	1	1	GD05474140	470K Ω
RA25	1	1	1	GD05472140	4.7K Ω
RA27	1	1	1	GD05274140	270K Ω
RA28	1	1	1	GD05222140	2.2K Ω
RA29	1	1	1	GD05103140	10K Ω
RA30	1	1	1	GD05683140	68K Ω
RA31	1	1	1	GD05472140	4.7K Ω
RA33	1	1	1	GD05332140	3.3K Ω
RA34	1	1	1	RA05030090	50K Ω (B) Trimming
RA36	1	1	1	GD05102140	1K Ω
RA37	1	1	1	GD05151140	150 Ω
R101	1	1	1	GD05105140	1M Ω
R103	1	1	1	GD05220140	22 Ω
R104	1	1	1	GG05101140	100 Ω
R105	1	1	1	GD05104140	100K Ω
R106	1	1	1	GD05223140	22K Ω
R107	1	1	1	GD05472140	4.7K Ω
R108	1	1	1	GD05332140	3.3K Ω
R110	1	1	1	GG05101140	100 Ω
R111	1	1	1	GD05103140	10K Ω
R112	1	1	1	GD05103140	10K Ω
R113	1	1	1	GD05272140	2.7K Ω
R114	1	1	1	GD05331140	330 Ω
R115	1	1	1	GD05153140	15K Ω
R116	1	1	1	GD05272140	2.7K Ω
R117	1	1	1	GD05331140	330 Ω
R118	1	1	1	GD05102140	1K Ω
R119	1	1	1	GG05101140	100 Ω
R120	1	1	1	GD05331140	330 Ω
R121	1	1	1	75061001P0	Jumper
R122	1	1	1	GD05123140	12K Ω
R124	1	1	1	GD05223140	22K Ω
R125	1	1	1	GD05183140	18K Ω
R126	1	1	1	GD05332140	3.3K Ω
R127	1	1	1	GD05222140	2.2K Ω
R128	1	1	1	GD05103140	10K Ω
R129	1	1	1	GD05473140	47K Ω
R130	1	1	1	GD05821140	820 Ω
R131	1	1	1	RA01030260	10K Ω (B) Trim. Muting Level
R132	1	1	1	GD05105140	1M Ω
R133	1	1	1	GD05331140	330 Ω

REF. DESIG.	Q'TY			PART NO.	DESCRIPTION
	U	C	E		
R134	1	1	1	GD05102140	1K Ω
R140	1	1	1	GG05470140	47 Ω
R150	1	1	1	GD05104140	100K Ω
R151	1	1	1	GD05104140	100K Ω
R152	1	1	1	GD05104140	100K Ω
R153	1	1	1	GD05104140	100K Ω
R154	1	1	1	GD05104140	100K Ω
R155	1	1	1	GD05223140	22K Ω
R156	1	1	1	GD05331140	330 Ω
R157	1	1	1	GD05104140	100K Ω
R301	1	1	1	GD05224140	220K Ω
R302	1	1	1	RA04720080	4.7K Ω (B) Trim. V.C.O. Adj.
R303	1	1	1	GD05153140	15K Ω
R304	1	1	1	GD05821140	820 Ω
R305	1	1	1	GD05102140	1K Ω
R306	1	1	1	RA05020160	5K Ω (B) Trim. Pilot Cancel
R308	1	1	1	GD05103140	10K Ω
R309	1	1	1	GD05473140	47K Ω
R310	1	1	1	GD05102140	1K Ω
R311	1	1	1	GD05473140	47K Ω
R312	1	1	1	GG05470140	47 Ω
R313	1	1	1	GD05472140	4.7K Ω
R314	1	1	1	GD05472140	4.7K Ω
R315	1	1	1	GD05472140	4.7K Ω
R316	1	1	1	GD05472140	4.7K Ω
R317	1	1	1	GD05273140	27K Ω
R318	1	1	1	GD05273140	27K Ω
R319	1	1	1	GD05224140	220K Ω
R320	1	1	1	GD05224140	220K Ω
R321	1	1	1	GD05155140	1.5M Ω
R322	1	1	1	GD05155140	1.5M Ω
R323	1	1	1	GD05184140	180K Ω
R323	1	1	1	GD05154140	150K Ω
R324	1	1	1	GD05184140	180K Ω
R324	1	1	1	GD05154140	150K Ω
R325	1	1	1	GD05102140	1K Ω
R326	1	1	1	RA01030260	10K Ω (B) Trim. Separation Adj.
R327	1	1	1	GD05103140	10K Ω
R328	1	1	1	GD05103140	10K Ω
R329	1	1	1	GD05471140	470 Ω
R330	1	1	1	GD05471140	470 Ω
R331	1	1	1	GD05472140	4.7K Ω
R331	1	1	1	GD05682140	6.8K Ω
R332	1	1	1	GD05472140	4.7K Ω
R332	1	1	1	GD05682140	6.8K Ω
R333	1	1	1	GD05473140	47K Ω
R334	1	1	1	GD05473140	47K Ω
R335	1	1	1	GD05471140	470 Ω
R336	1	1	1	GD05471140	470 Ω
R337	1	1	1	GD05101140	100 Ω
R338	1	1	1	GD05123140	12K Ω
R341	1	1	1	GD05104140	100K Ω
R342	1	1	1	GD05222140	2.2K Ω
R343	1	1	1	GD05222140	2.2K Ω
R344	1	1	1	GD05102140	1K Ω
R345	1	1	1	GD05102140	1K Ω
R346	1	1	1	GD05223140	22K Ω
R347	1	1	1	GD05222140	2.2K Ω
R348	1	1	1	GD05472140	4.7K Ω
R349	1	1	1	GD05473140	47K Ω
R351	1	1	1	GD05154140	150K Ω
R352	1	1	1	GD05333140	33K Ω
R401	1	1	1	GD05823140	82K Ω
R402	1	1	1	GD05823140	82K Ω
R403	1	1	1	GD05222140	2.2K Ω

- (U): for U.S.A.
- (C): for Canada
- (E): for Europe

REF. DESIG.	Q'TY			PART NO.	DESCRIPTION
	U	C	E		
R404	1	1	1	GD05222140	2.2K Ω
R405	1	1	1	GD05104140	100K Ω
R406	1	1	1	GD05104140	100K Ω
R407	1	1	1	GD05331140	330 Ω
R408	1	1	1	GD05331140	330 Ω
R409	1	1	1	GD05471140	470 Ω
R410	1	1	1	GD05471140	470 Ω
R411	1	1	1	GD05393140	39K Ω
R412	1	1	1	GD05393140	39K Ω
R413	1	1	1	GD05474140	470K Ω
R414	1	1	1	GD05474140	470K Ω
R415	1	1	1	GD05102140	1K Ω
R416	1	1	1	GD05102140	1K Ω
R417	1	1	1	GD05221140	220 Ω
R418	1	1	1	GD05221140	220 Ω
R419	1	1	1	GD05104140	100K Ω
R420	1	1	1	GD05104140	100K Ω
R421	1	1	1	GD05330140	33 Ω
R422	1	1	1	GD05330140	33 Ω
QA01	1	1	1	HC10025060	IC μ PC1178C
QA03	1	1	1	HD20011050	Diode 1S1555
QA04	1	1	1	HT309452C0	Transistor 2SC945(K or P)
QA05	1	1	1	HD20011050	Diode 1S1555
QA10	1	1	1	HV00006120	Varistor MV-203
QA11	1	1	1	HD10001050	Diode 1N60
QA12	1	1	1	HD10001050	Diode 1N60
QA14	1	1	1	HD40002420	Varicap KV-1226
QA16	1	1	1	HT310471C0	Transistor 2SC1047(C)
QA17	1	1	1	HT310471C0	Transistor 2SC1047(C)
QA18	1	1	1	HT309452C0	Transistor 2SC945(K or P)
Q101	1	1	1	HF400451B0	I.F.T. 3SK45(B)
Q102	1	1	1	HT310471C0	Transistor 2SC1047(C)
Q103	1	1	1	HT308291C0	Transistor 2SC829(C)
Q104	1	1	1	HT310471C0	Transistor 2SC1047(C)
Q105	1	1	1	HC10033010	IC HA11225
Q106	1	1	1	HD20011050	Diode 1S1555
Q110	1	1	1	HD40004010	Varicap 1SV55
Q111	1	1	1	HD40004010	Varicap 1SV55
Q112	1	1	1	HD40004010	Varicap 1SV55
Q113	1	1	1	HD40004010	Varicap 1SV55
Q114	1	1	1	HF200191A0	F.E.T. 2SK19(Y)
Q301	1	1	1	HC10001420	IC KB4437
Q302	1	1	1	HT309452C0	Transistor 2SC945(K or P)
Q303	1	1	1	HT309452C0	Transistor 2SC945(K or P)
Q304	1	1	1	HT309452C0	Transistor 2SC945(K or P)
Q305	1	1	1	HT326342B0	Transistor 2SC2634(S or T)
Q306	1	1	1	HT326342B0	Transistor 2SC2634(S or T)
Q307	1	1	1	HT111272B0	Transistor 2SA1127(S or T)
Q308	1	1	1	HT111272B0	Transistor 2SA1127(S or T)
Q309	1	1	1	HT309452B0	Transistor 2SC945(P or Q)
Q311	1	1	1	HD20011050	Diode 1S1555
Q312	1	1	1	HD20011050	Diode 1S1555
Q320	1	1	1	HD20011050	Diode 1S1555
Q321	1	1	1	HD20011050	Diode 1S1555
Q322	1	1	1	HD20011050	Diode 1S1555
Q323	1	1	1	HD20011050	Diode 1S1555
Q324	1	1	1	HD20011050	Diode 1S1555
Q325	1	1	1	HD20011050	Diode 1S1555
Q326	1	1	1	HD20011050	Diode 1S1555
Q401	1	1	1	HC10034010	IC HA1457W
Q402	1	1	1	HC10034010	IC HA1457W

REF. DESIG.	Q'TY			PART NO.	DESCRIPTION
	U	C	E		
FA01	1	1	1	FG450302B0	Ceramic Filter, AM SFZ450B-3
FA02	1	1	1	FG450302A0	Ceramic Filter, AM SFZ450A-3
F101	1	1	1	FF11070530	Ceramic Filter, SFE10.7MD-1
F102	1	1	1	FF11070530	Ceramic Filter, SFE10.7MD-1
F102	1	1	1	FF11070570	Ceramic Filter, SFE10.7MS3G
F103	1	1	1	FF11070530	Ceramic Filter, SFE10.7MD-1
F103	1	1	1	FF11070570	Ceramic Filter, SFE10.7MS3G
JV01	1	1	1	YT02040260	Terminal, Input
J101	1	1	1	YT01050010	Terminal, Antenna
LA01	1	1	1	LO10010480	OSC Coil, AM
LA02	1	1	1	LI10010730	I.F.T. Coil, AM
LA03	1	1	1	LI10010740	I.F.T. Coil, AM
L101	1	1	1	LA12026190	Ant. Coil, FM
L104	1	1	1	LC17510010	Choke Coil, 0.75 μ H
L105	1	1	1	LI10016010	I.F.T. Coil, FM
L106	1	1	1	LO12046030	OSC Coil, FM
L107	1	1	1	LC13320050	Choke Coil, 3.3 μ H
L109	1	1	1	LI14030010	I.F.T. Coil, FM Det
L120	1	1	1	LA12026200	Ant. Coil, FM RF
L121	1	1	1	LA12026210	Ant. Coil, FM RF
L301	1	1	1	LS20010020	M.P.X. Coil, 38kHz
SV01	1	1	1	SR06040170	Rotary Switch, Selector
P700	1	1	1	YK21161810	P.W. Board, Power Amp.
	1	1	1	ZZ21161810	P.W. Board Assembly
C701	1	1	1	EA47706310	Elect 470 μ F 63V
C702	1	1	1	EA47706310	Elect 470 μ F 63V
C703	1	1	1	EA47706310	Elect 470 μ F 63V
C704	1	1	1	EA47706310	Elect 470 μ F 63V
C705	1	1	1	DF17473520	Film 0.047 μ F \pm 20%
C706	1	1	1	DF17473520	Film 0.047 μ F \pm 20%
C709	1	1	1	DF16473300	Film 0.047 μ F \pm 20%
C710	1	1	1	DF16473300	Film 0.047 μ F \pm 20%
C711	1	1	1	EA47601030	Elect 47 μ F 10V
C712	1	1	1	EA10701630	Elect 100 μ F 16V
C713	1	1	1	DD16470500	Ceramic 47pF \pm 10%
C714	1	1	1	DD16470500	Ceramic 47pF \pm 10%
C715	1	1	1	DD16470500	Ceramic 47pF \pm 10%
C716	1	1	1	DD16470500	Ceramic 47pF \pm 10%
Δ R701	1	1	1	GO10332050	0.33 Ω 5W
Δ R702	1	1	1	GO10332050	0.33 Ω 5W
Δ R703	1	1	1	GO10332050	0.33 Ω 5W
Δ R704	1	1	1	GO10332050	0.33 Ω 5W
R705	1	1	1	RC10022120	2.2 Ω 1/2W
R706	1	1	1	RC10022120	2.2 Ω 1/2W
R707	1	1	1	GA05330030	33 Ω \pm 5% 3W
R708	1	1	1	GA05330030	33 Ω \pm 5% 3W
R709	1	1	1	GA05562010	5.6K Ω \pm 5% 1W
R710	1	1	1	GA05562010	5.6K Ω \pm 5% 1W

- (U): for U.S.A.
- (C): for Canada
- (E): for Europe

REF. DESIG.	Q'TY			PART NO.	DESCRIPTION
	U	C	E		
R711	1	1	1	GD05223140	22K Ω \pm 5% $\frac{1}{4}$ W
R712	1	1	1	GD05153140	15K Ω \pm 5% $\frac{1}{4}$ W
R713	1	1	1	GD05562140	5.6K Ω \pm 5% $\frac{1}{4}$ W
R714	1	1	1	GD05154140	150K Ω \pm 5% $\frac{1}{4}$ W
R715	1	1	1	GD05393140	39K Ω \pm 5% $\frac{1}{4}$ W
R716	1	1	1	GG05100140	10 Ω \pm 5% $\frac{1}{4}$ W
R717	1	1	1	GD05333140	33K Ω \pm 5% $\frac{1}{4}$ W
P700-SEMICONDUCTORS					
Δ Q701	1	1	1	HC10033030	IC STK-0080 Mark2
Δ Q702	1	1	1	HC10033030	IC STK-0080 Mark2
Q703	1	1	1	HD20005010	Diode W06B
Q704	1	1	1	HD20005010	Diode W06B
Q705	1	1	1	HD20005010	Diode W06B
Q706	1	1	1	HD20005010	Diode W06B
Q707	1	1	1	HD20003210	Diode 1S2471
Q708	1	1	1	HD20011050	Diode 1S1555
Q709	1	1	1	HT314001E0	Transistor 2SC1400(E)
Q710	1	1	1	HT314001E0	Transistor 2SC1400(E)
Q711	1	1	1	HT405712B0	Transistor 2SD571(L or K)
P700-MISCELLANEOUS					
J701	1	1	1	YP06001060	Plug, (9P)
J702	1	1	1	YP06001060	Plug, (9P)
JN01	1	1	1	YP06000600	Plug (9P)
JN02	1	1	1	YP06000600	Plug (9P)
L701	1	1	1	LL23915120	Coil
L702	1	1	1	LL23915120	Coil
Δ L703	1	1	1	LY20240140	Relay, 3A MU2U 24V
P800-POWER SUPPLY CIRCUIT BOARD					
P800	1	1	1	YK21161880	P.W. Board, Power Supply
				ZZ21163880	P.W. Board Assembly
				ZZ21162880	P.W. Board Assembly
				ZZ21168880	P.W. Board Assembly
P800-CAPACITORS					
Δ C801	1	1	1	EB10906310	Elect 1000 μ F 56V
Δ C802	1	1	1	EB10906310	Elect 1000 μ F 56V
C803	1	1	1	DK18103510	Ceramic 0.01 μ F
C804	1	1	1	DK18103510	Ceramic 0.01 μ F
Δ C805	1	1	1	EA47705090	Elect 470 μ F 50V
C806	1	1	1	EA10705090	Elect 100 μ F 50V
C807	1	1	1	EA10605030	Elect 10 μ F 50V
C808	1	1	1	EA10605030	Elect 10 μ F 50V
C809	1	1	1	EA33505030	Elect 3.3 μ F 50V
C810	1	1	1	EA33505030	Elect 3.3 μ F 50V
C811	1	1	1	DK18403320	Ceramic 0.04 μ F
C812	1	1	1	DK18403320	Ceramic 0.04 μ F
C813	1	1	1	EA10701630	Elect 100 μ F 16V
C814	1	1	1	EA33505030	Elect 3.3 μ F 50V
C815	1	1	1	EA33505030	Elect 3.3 μ F 50V
C816	1	1	1	EA10602530	Elect 10 μ F 25V
C817	1	1	1	EA10701630	Elect 100 μ F 16V
C818	1	1	1	EA10703590	Elect 100 μ F 35V
Δ C819	1	1	1	EA10701630	Elect 100 μ F 16V
C820	1	1	1	EA22602530	Elect 22 μ F 25V
C821	1	1	1	EA22602530	Elect 22 μ F 25V
Δ C822	1	1	1	EA22605030	Elect 22 μ F 50V

REF. DESIG.	Q'TY			PART NO.	DESCRIPTION
	U	C	E		
P800-RESISTORS (All Resistors are \pm 5% and $\frac{1}{4}$ W)					
Δ R801	1	1	1	RF05100120	10 Ω $\frac{1}{4}$ W, Fusible
Δ R802	1	1	1	RF05100120	10 Ω $\frac{1}{4}$ W, Fusible
Δ R803	1	1	1	GA05560020	56 Ω 2W
R804	1	1	1	GD05103140	10K Ω
R805	1	1	1	GD05103140	10K Ω
R806	1	1	1	GD05472140	4.7K Ω
R807	1	1	1	GD05472140	4.7K Ω
R808	1	1	1	GD05472140	4.7K Ω
R809	1	1	1	GD05472140	4.7K Ω
R810	1	1	1	GD05182140	1.8K Ω
R811	1	1	1	GD05223140	22K Ω
R812	1	1	1	GD05332140	3.3K Ω
R813	1	1	1	GD05562140	5.6K Ω
R814	1	1	1	GD05102140	1K Ω
R815	1	1	1	GD05474140	470K Ω
R816	1	1	1	GD05223140	22K Ω
R817	1	1	1	GD05102140	1K Ω
R818	1	1	1	GD05102140	1K Ω
P800-SEMICONDUCTORS					
Δ Q801	1	1	1	HD20011290	Diode S3VB-20
Δ Q802	1	1	1	HD20011290	Diode S3VB-20
Δ Q803	1	1	1	HD20011290	Diode S3VB-20
Δ Q804	1	1	1	HD20011290	Diode S3VB-20
Δ Q805	1	1	1	HD20005010	Diode W06B
Δ Q805	1	1	1	HD20022100	Diode 10E1
Δ Q806	1	1	1	HD20005010	Diode W06B
Δ Q806	1	1	1	HD20022100	Diode 10E1
Δ Q807	1	1	1	HD20005010	Diode W06B
Δ Q807	1	1	1	HD20022100	Diode 10E1
Δ Q808	1	1	1	HD20005010	Diode W06B
Δ Q808	1	1	1	HD20022100	Diode 10E1
Δ Q809	1	1	1	HD20005010	Diode W06B
Q810	1	1	1	HT405712B0	Transistor 2SD571(L or K)
Q811	1	1	1	HT326342A0	Transistor 2SC2634(R or S)
Q812	1	1	1	HT403131E0	Transistor 2SD313(E)
Q813	1	1	1	HD20011050	Diode 1S1555
Q814	1	1	1	HD30027090	Zener WZ-140
Q815	1	1	1	HT206052B0	Transistor 2SB605(L or K)
Q816	1	1	1	HT107332A0	Transistor 2SA733(P or Q)
Q817	1	1	1	HD30027090	Zener WZ-140
Q818	1	1	1	HT111272A0	Transistor 2SA1127(R or S)
Δ Q819	1	1	1	HD20005010	Diode W06B
Δ Q819	1	1	1	HD20022100	Diode 10E1
P800-MISCELLANEOUS					
Δ F802	1	1	1	FS10050080	Fuse 0.5A 250V
Δ F802	1	1	1	FS10050800	Fuse 0.5A 250V
J831	1	1	1	YJ08000170	Jack, Fuse Holder
J831	1	1	1	YJ08000270	Jack, Fuse Holder
J832	1	1	1	YJ08000170	Jack, Fuse Holder
J832	1	1	1	YJ08000270	Jack, Fuse Holder

- (U): for U.S.A.
- (C): for Canada
- (E): for Europe

REF. DESIG.	QTY			PART NO.	DESCRIPTION
	U	C	E		
P860	1	1	1	YK102H1310	P860-SUB POWER SUPPLY CIRCUIT BOARD
	1	1	1	ZZ102H1310	P.W. Board, Sub Power Supply P.W. Board Assembly
P860-CAPACITORS					
C864	1	1	1	EA47701030	Elect 470 μ F 10V
C865	1	1	1	EA10701030	Elect 100 μ F 10V
C866	1	1	1	EA47601030	Elect 47 μ F 10V
C867	1	1	1	DK18103320	Ceramic 0.01 μ F +80% -20%
C869	1	1	1	EA22603530	Elect 22 μ F 35V
C873	1	1	1	EA33702530	Elect 330 μ F 25V
C874	1	1	1	EA22703530	Elect 220 μ F 35V
C875	1	1	1	EA10505030	Elect 1 μ F 50V
C876	1	1	1	EA33602530	Elect 33 μ F 25V
C877	1	1	1	EA10601630	Elect 10 μ F 16V
C878	1	1	1	DK17103300	Ceramic 0.01 μ F \pm 20%
C879	1	1	1	DK17103300	Ceramic 0.01 μ F \pm 20%
P860-RESISTORS (All Resistors are \pm 5% and $\frac{1}{4}$ W)					
R862	1	1	1	GD05103140	10K Ω
R864	1	1	1	GG05222120	2.2K Ω $\frac{1}{4}$ W
R865	1	1	1	GG05390140	39 Ω
R866	1	1	1	GD05103140	10K Ω
R867	1	1	1	GD05182140	1.8K Ω
R869	1	1	1	GD05472140	4.7K Ω
R872	1	1	1	GD05104140	100K Ω
R873	1	1	1	GD05104140	100K Ω
R874	1	1	1	GD05333140	33K Ω
R875	1	1	1	GD05333140	33K Ω
R876	1	1	1	GD05333140	33K Ω
R877	1	1	1	GD05333140	33K Ω
R878	1	1	1	GD05222140	2.2K Ω
R879	1	1	1	GA05151010	150 Ω 1W
P860-SEMICONDUCTORS					
O861	1	1	1	HT309452A0	Transistor 2SC945(Q or R)
O862	1	1	1	HT404002B0	Transistor 2SD400(E or F)
O864	1	1	1	HT107332A0	Transistor 2SA733(P or Q)
O865	1	1	1	HT205492A0	Transistor 2SB549(P or Q)
O866	1	1	1	HT404002B0	Transistor 2SD400(E or F)
O867	1	1	1	HT404002B0	Transistor 2SD400(E or F)
O868	1	1	1	HT107202B0	Transistor 2SA720(Q or R)
O869	1	1	1	HT107202B0	Transistor 2SA720(Q or R)
O872	1	1	1	HD20005010	Diode W06B
O873	1	1	1	HD30036090	Zener WZ065
O875	1	1	1	HD30068090	Zener WZ270
O877	1	1	1	HD30039090	Zener WZ240
O879	1	1	1	HD30067090	Zener WZ040
O880	1	1	1	HC10019020	IC AN6552
O882	1	1	1	HD20005010	Diode W06B
P900-DISPLAY UNIT CIRCUIT BOARD					
P900	1	1	1	YK102H1640	P.W. Board, Display Unit
	1	1	1	ZZ102H1640	P.W. Board Assembly
P900-RESISTORS (All Resistors are \pm 5% and $\frac{1}{4}$ W)					
R901	1	1	1	GD05104140	100K Ω
R902	1	1	1	GD05104140	100K Ω
R903	1	1	1	GD05104140	100K Ω
R904	1	1	1	GD05822140	8.2K Ω
R905	1	1	1	GD05473140	47K Ω
R906	1	1	1	GD05103140	10K Ω

REF. DESIG.	QTY			PART NO.	DESCRIPTION
	U	C	E		
Q901	1	1	1	HT107332A0	Transistor 2SA733(P or Q)
	1	1	1	HT107332A0	Transistor 2SA733(P or Q)
	1	1	1	HT309452B0	Transistor 2SC945(P or Q)
	1	1	1	HD20011050	Diode 1S1555
V901	1	1	1	HQ30701410	Display Unit 8-MT-01
PB00-NOISE AMP. CIRCUIT BOARD					
PB00	1	1	1	YA22180610	P.W. Board, Noise Amp
	1	1	1	ZZ21370610	P.W. Board Assembly
PB00-CAPACITORS					
CB01	1	1	1	DD11100370	Ceramic 10pF \pm 0.5pF
CB02	1	1	1	DF16683300	Film 0.068 μ F \pm 10%
CB03	1	1	1	DF17403300	Film 0.1 μ F \pm 20%
CB04	1	1	1	DK18104020	Ceramic 0.1 μ F
CB05	1	1	1	DK18403320	Ceramic 0.04 μ F
CB06	1	1	1	EA10601690	Elect 10 μ F 16V
CB07	1	1	1	EA10501690	Elect 1 μ F 16V
PB00-RESISTORS (All Resistors are \pm 5% and $\frac{1}{4}$ W)					
RB01	1	1	1	GD05562140	5.6K Ω
RB02	1	1	1	GD05104140	100K Ω
RB03	1	1	1	GD05273140	27K Ω
RB04	1	1	1	GD05102140	1K Ω
RB05	1	1	1	GD05104140	100K Ω
RB06	1	1	1	GD05333140	33K Ω
RB08	1	1	1	GG05101140	100 Ω
RB09	1	1	1	GD05101140	100 Ω
RB10	1	1	1	GD05104140	100K Ω
RB11	1	1	1	GD05103140	10K Ω
RB12	1	1	1	GD05472140	4.7K Ω
PB00-SEMICONDUCTORS					
QB01	1	1	1	HT309452B0	Transistor 2SC945(P or Q)
QB02	1	1	1	HT309452B0	Transistor 2SC945(P or Q)
QB03	1	1	1	HD10001050	Diode 1N60
QB04	1	1	1	HD10001050	Diode 1N60
QB05	1	1	1	HT309452B0	Transistor 2SC945(P or Q)
QB06	1	1	1	HD20011050	Diode 1S1555
PB00-COIL					
LB01	1	1	1	LC21050010	Choke Coil 1mH
PC00-PLL SYNTHESIZER CIRCUIT BOARD					
PC00	1	1	1	YK102H1610	P.W. Board, PLL Synthesizer
	1	1	1	ZZ102H1610	P.W. Board Assembly
PC00-CAPACITORS					
CC01	1	1	1	EA47405030	Elect 0.47 μ F 50V
CC02	1	1	1	EA10800630	Elect 1000 μ F 6.3V
CC03	1	1	1	EA10800630	Elect 1000 μ F 6.3V
CC05	1	1	1	DD15220300	Ceramic 22pF \pm 5%
CC06	1	1	1	DD15220300	Ceramic 22pF \pm 5%
CC07	1	1	1	DF17683300	Film 0.068 μ F \pm 20%
CC08	1	1	1	EQ22505010	Elect 2.2 μ F 50V
CC09	1	1	1	EA47603530	Elect 47 μ F 35V
CC11	1	1	1	DK18103310	Ceramic 0.01 μ F +80% -20%
CC12	1	1	1	EV33600660	Elect 33 μ F 6.3V

- (U): for U.S.A.
- (C): for Canada
- (E): for Europe

REF. DESIG.	Q'TY			PART NO.	DESCRIPTION
	U	C	E		
CC13	1	1	1	DD15121360	Ceramic 120pF ±5%
CC14	1	1	1	DD15750360	Ceramic 75pF ±5%
CC15	1	1	1	DK18103310	Ceramic 0.01μF +80% -20%
CC16	1	1	1	EA10602530	Elect 10μF 25V
CC17	1	1	1	DK16221300	Ceramic 220pF ±10%
CC18	1	1	1	DK16221300	Ceramic 220pF ±10%
CC19	1	1	1	DK18103310	Ceramic 0.01μF +80% -20%
CC20	1	1	1	EV33600660	Elect 33μF 6.3V
CC21	1	1	1	DK17103300	Ceramic 0.01μF ±20%
CC22	1	1	1	EA10602530	Elect 10μF 25V
CC23	1	1	1	EA22700630	Elect 220μF 6.3V
CC24	1	1	1	EA22700630	Elect 220μF 6.3V
PC00-RESISTORS (All Resistors are ±5% and ¼W)					
RC01	1	1	1	GD05222140	2.2KΩ
RC02	1	1	1	GD05222140	2.2KΩ
RC03	1	1	1	GD05222140	2.2KΩ
RC04	1	1	1	GD05222140	2.2KΩ
RC05	1	1	1	GD05222140	2.2KΩ
RC06	1	1	1	GD05222140	2.2KΩ
RC08	1	1	1	GD05222140	2.2KΩ
RC09	1	1	1	GD05104140	100KΩ
RC10	1	1	1	GD05104140	100KΩ
RC11	1	1	1	GD05104140	100KΩ
RC12	1	1	1	GD05104140	100KΩ
RC13	1	1	1	GD05104140	100KΩ
RC16	1	1	1	GD05104140	100KΩ
RC17	1	1	1	GD05104140	100KΩ
RC18	1	1	1	GD05104140	100KΩ
RC19	1	1	1	GD05104140	100KΩ
RC20	1	1	1	GD05104140	100KΩ
RC21	1	1	1	GD05104140	100KΩ
RC22	1	1	1	GD05104140	100KΩ
RC23	1	1	1	GD05104140	100KΩ
RC24	1	1	1	GD05104140	100KΩ
RC25	1	1	1	GD05473140	47KΩ
RC26	1	1	1	GD05223140	22KΩ
RC28	1	1	1	GD05223140	22KΩ
RC29	1	1	1	GD05473140	47KΩ
RC30	1	1	1	GD05473140	47KΩ
RC31	1	1	1	GD05473140	47KΩ
RC32	1	1	1	GD05473140	47KΩ
RC33	1	1	1	GD05473140	47KΩ
RC34	1	1	1	GD05473140	47KΩ
RC35	1	1	1	GD05473140	47KΩ
RC36	1	1	1	GD05473140	47KΩ
RC37	1	1	1	GD05473140	47KΩ
RC38	1	1	1	GD05473140	47KΩ
RC39	1	1	1	GD05103140	10KΩ
RC40	1	1	1	GD05103140	10KΩ
RC41	1	1	1	GD05103140	10KΩ
RC42	1	1	1	GD05103140	10KΩ
RC43	1	1	1	GD05103140	10KΩ
RC44	1	1	1	GD05103140	10KΩ
RC45	1	1	1	GD05103140	10KΩ
RC46	1	1	1	GD05103140	10KΩ
RC47	1	1	1	GD05103140	10KΩ
RC48	1	1	1	GD05223140	22KΩ
RC49	1	1	1	GD05223140	22KΩ
RC50	1	1	1	GD05332140	3.3KΩ
RC51	1	1	1	GD05223140	22KΩ
RC52	1	1	1	GD05332140	3.3KΩ
RC53	1	1	1	GD05223140	22KΩ
RC54	1	1	1	GD05223140	22KΩ

REF. DESIG.	Q'TY			PART NO.	DESCRIPTION
	U	C	E		
RC55	1	1	1	GD05472140	4.7KΩ
RC56	1	1	1	GD05472140	4.7KΩ
RC57	1	1	1	GD05472140	4.7KΩ
RC58	1	1	1	GD05472140	4.7KΩ
RC59	1	1	1	GD05472140	4.7KΩ
RC60	1	1	1	GD05473140	47KΩ
RC61	1	1	1	GD05393140	39KΩ
RC62	1	1	1	GD05393140	39KΩ
RC63	1	1	1	GD05393140	39KΩ
RC64	1	1	1	GD05393140	39KΩ
RC65	1	1	1	GD05221140	220Ω
RC66	1	1	1	GD05662140	5.6KΩ
RC67	1	1	1	GD05222140	2.2KΩ
RC68	1	1	1	GD05101140	100Ω
RC70	1	1	1	GD05102140	1KΩ
RC71	1	1	1	GD05102140	1KΩ
RC73	1	1	1	GD05122140	1.2KΩ
RC74	1	1	1	GD05103140	10KΩ
RC75	1	1	1	GD05102140	1KΩ
RC78	1	1	1	GD05104140	100KΩ
RC79	1	1	1	GG05100140	10Ω
RC80	1	1	1	GD05182140	1.8KΩ
RC82	1	1	1	GD05102140	1KΩ
RC83	1	1	1	GD05101140	100Ω
PC00-SEMICONDUCTORS					
QC01	1	1	1	HC10016020	IC MN14005J
QC02	1	1	1	HC10018020	IC MN1203
QC03	1	1	1	HC10017020	IC MN6142
QC04	1	1	1	HC10032060	IC μPB551C
QC05	1	1	1	HC10048050	IC TC5066BP
QC06	1	1	1	HT107332B0	Transistor 2SA733(Q or R)
QC07	1	1	1	HT107332B0	Transistor 2SA733(Q or R)
QC08	1	1	1	HT107332B0	Transistor 2SA733(Q or R)
QC09	1	1	1	HT107332B0	Transistor 2SA733(Q or R)
QC10	1	1	1	HT107332B0	Transistor 2SA733(Q or R)
QC11	1	1	1	HT107332B0	Transistor 2SA733(Q or R)
QC12	1	1	1	HD20011050	Diode 1S1555
QC14	1	1	1	HT107332B0	Transistor 2SA733(Q or R)
QC15	1	1	1	HT107332B0	Transistor 2SA733(Q or R)
QC23	1	1	1	HD20011050	Diode 1S1555
QC24	1	1	1	HD20011050	Diode 1S1555
QC25	1	1	1	HD20011050	Diode 1S1555
QC26	1	1	1	HD20011050	Diode 1S1555
QC27	1	1	1	HD20011050	Diode 1S1555
QC28	1	1	1	HD20011050	Diode 1S1555
QC29	1	1	1	HD20011050	Diode 1S1555
QC30	1	1	1	HD20011050	Diode 1S1555
QC31	1	1	1	HD20011050	Diode 1S1555
QC32	1	1	1	HD20011050	Diode 1S1555
QC33	1	1	1	HD20011050	Diode 1S1555
QC34	1	1	1	HD20011050	Diode 1S1555
QC35	1	1	1	HD20011050	Diode 1S1555
QC36	1	1	1	HD20011050	Diode 1S1555
QC37	1	1	1	HD20011050	Diode 1S1555
QC38	1	1	1	HT309452A0	Transistor 2SC945(Q or R)
QC39	1	1	1	HT309452A0	Transistor 2SC945(Q or R)
QC41	1	1	1	HT107332B0	Transistor 2SA733(Q or R)
QC42	1	1	1	HT309452A0	Transistor 2SC945(Q or R)
QC43	1	1	1	HT309452A0	Transistor 2SC945(Q or R)
QC44	1	1	1	HT309452A0	Transistor 2SC945(Q or R)
QC45	1	1	1	HT309452A0	Transistor 2SC945(Q or R)
QC46	1	1	1	HT309452A0	Transistor 2SC945(Q or R)
QC47	1	1	1	HT309452A0	Transistor 2SC945(Q or R)
QC48	1	1	1	HT309452A0	Transistor 2SC945(Q or R)
QC49	1	1	1	HT309452A0	Transistor 2SC945(Q or R)

- (U): for U.S.A.
- (C): for Canada
- (E): for Europe

REF. DESIG.	QTY			PART NO.	DESCRIPTION
	U	C	E		
QC50	1	1	1	HT309452A0	Transistor 2SC945(Q or R)
QC51	1	1	1	HT309452A0	Transistor 2SC945(Q or R)
QC52	1	1	1	HD20011050	Diode 1S1555
QC53	1	1	1	HD20011050	Diode 1S1555
QC54	1	1	1	HF200301C0	F.E.T. 2SK30(Y)
QC55	1	1	1	HT309452A0	Transistor 2SC945(Q or R)
QC56	1	1	1	HT309452A0	Transistor 2SC945(Q or R)
QC57	1	1	1	HD20011050	Diode 1S1555
LC01	1	1	1	LC11030020	PC00-MISCELLANEOUS Choke Coil 10μH
XC01	1	1	1	XA108001L0	Crystal 11.52MHz
PE00	1	1	1	YK21161850	PE00-TONE AMP. CIRCUIT BOARD P.W. Board, Tone Amp.
	1	1	1	ZZ21161850	P.W. Board Assembly
CE01	1	1	1	EE10505040	PE00-CAPACITORS Elect 1μF 50V
CE02	1	1	1	EE10505040	Elect 1μF 50V
CE03	1	1	1	DK16101300	Ceramic 100pF ±10%
CE04	1	1	1	DK16101300	Ceramic 100pF ±10%
CE05	1	1	1	EE22505040	Elect 2.2μF 50V
CE06	1	1	1	EE22505040	Elect 2.2μF 50V
CE07	1	1	1	DK16101300	Ceramic 100pF ±10%
CE08	1	1	1	DK16101300	Ceramic 100pF ±10%
CE09	1	1	1	DF16222300	Film 2200pF ±10%
CE10	1	1	1	DF16222300	Film 2200pF ±10%
CE11	1	1	1	DF16562300	Film 5600pF ±10%
CE12	1	1	1	DF16562300	Film 5600pF ±10%
CE15	1	1	1	DF16183300	Film 0.018μF ±10%
CE16	1	1	1	DF16183300	Film 0.018μF ±10%
CE17	1	1	1	DF16183300	Film 0.018μF ±10%
CE18	1	1	1	DF16183300	Film 0.018μF ±10%
CE19	1	1	1	DF16822300	Film 8200pF ±10%
CE20	1	1	1	DF16822300	Film 8200pF ±10%
CE21	1	1	1	DD15560370	Ceramic 56pF ±5%
CE22	1	1	1	DD15560370	Ceramic 56pF ±5%
CE23	1	1	1	EA33505030	Elect 3.3μF 50V
CE24	1	1	1	EA33505030	Elect 3.3μF 50V
RE01	1	1	1	GD05683140	PE00-RESISTORS (All Resistors are ±5% and ¼W) 68KΩ
RE02	1	1	1	GD05683140	68KΩ
RE03	1	1	1	GD05821140	820Ω
RE04	1	1	1	GD05821140	820Ω
RE05	1	1	1	GD05392140	3.9KΩ
RE06	1	1	1	GD05392140	3.9KΩ
RE07	1	1	1	GD05682140	6.8KΩ
RE08	1	1	1	GD05682140	6.8KΩ
RE09	1	1	1	GD05682140	6.8KΩ
RE10	1	1	1	GD05682140	6.8KΩ
RE11	1	1	1	GD05562140	5.6KΩ
RE12	1	1	1	GD05562140	5.6KΩ
RE13	1	1	1	GD05562140	5.6KΩ
RE14	1	1	1	GD05562140	5.6KΩ
RE15	1	1	1	GD05223140	22KΩ
RE16	1	1	1	GD05223140	22KΩ
RE17	1	1	1	GD05223140	22KΩ
RE18	1	1	1	GD05223140	22KΩ
RE19	1	1	1	GD05223140	22KΩ
RE20	1	1	1	GD05223140	22KΩ

REF. DESIG.	QTY			PART NO.	DESCRIPTION
	U	C	E		
RE21	1	1	1	GD05103140	10KΩ
RE22	1	1	1	GD05103140	10KΩ
RE23	1	1	1	GD05470140	47Ω
RE24	1	1	1	GD05470140	47Ω
RE25	1	1	1	RM01040150	100KΩ(B) Variable, Treble
RE26	1	1	1	RM01040150	100KΩ(B) Variable, Mid
RE27	1	1	1	RM01040150	100KΩ(B) Variable, Bass
QE01	1	1	1	HC10003090	PE00-IC IC NJM4558D
QE02	1	1	1	HC10003090	IC NJM4558D
PG00	1	1	1	YK102H1430	PG00-VOLUME/BALANCE CIRCUIT BOARD P.W. Board, Volume/Balance
	1	1	1	ZZ102H1430	P.W. Board Assembly
RG01	1	1	1	RM01040320	PG00-RESISTORS 100KΩ(B) x 2 Variable, Vol.
RG02	1	1	1	RK02040080	200KΩ(W) Variable, Balance
PK00	1	1	1	YK102H1320	PK00-POWER LEVEL LED CIRCUIT BOARD P.W. Board, Power Level LED
	1	1	1	ZZ102H1320	P.W. Board Assembly
CK01	1	1	1	EA10602530	PK00-CAPACITORS Elect 10μF 25V
CK02	1	1	1	EA10602530	Elect 10μF 25V
CK03	1	1	1	EA10602530	Elect 10μF 25V
CK04	1	1	1	EA10602530	Elect 10μF 25V
CK05	1	1	1	EA22505030	Elect 2.2μF 50V
CK06	1	1	1	EA22505030	Elect 2.2μF 50V
CK07	1	1	1	EA10702530	Elect 100μF 25V
RK01	1	1	1	RA02030010	PK00-RESISTORS (All Resistors are ±5% and ¼W) 20KΩ Trimming
RK02	1	1	1	RA02030010	20KΩ Trimming
RK03	1	1	1	GD05152140	1.5KΩ
RK04	1	1	1	GD05152140	1.5KΩ
RK05	1	1	1	GD05152140	1.5KΩ
RK06	1	1	1	GD05152140	1.5KΩ
RK07	1	1	1	GD05152140	1.5KΩ
RK08	1	1	1	GD05152140	1.5KΩ
RK09	1	1	1	GD05152140	1.5KΩ
RK10	1	1	1	GD05152140	1.5KΩ
RK11	1	1	1	GD05152140	1.5KΩ
RK12	1	1	1	GD05152140	1.5KΩ
RK13	1	1	1	GD05152140	1.5KΩ
RK14	1	1	1	GD05152140	1.5KΩ
RK15	1	1	1	GD05152140	1.5KΩ
RK16	1	1	1	GD05152140	1.5KΩ
RK17	1	1	1	GD05152140	1.5KΩ
RK18	1	1	1	GD05152140	1.5KΩ
RK19	1	1	1	GD05152140	1.5KΩ
RK20	1	1	1	GD05152140	1.5KΩ
RK21	1	1	1	GD05152140	1.5KΩ
RK22	1	1	1	GD05152140	1.5KΩ
RK23	1	1	1	GD05152140	1.5KΩ
RK24	1	1	1	GD05152140	1.5KΩ
RK25	1	1	1	GD05152140	1.5KΩ
RK26	1	1	1	GD05152140	1.5KΩ
RK27	1	1	1	GD05103140	10KΩ
RK28	1	1	1	GD05103140	10KΩ
RK29	1	1	1	GD05103140	10KΩ
RK30	1	1	1	GD05103140	10KΩ

- (U): for U.S.A.
- (C): for Canada
- (E): for Europe

REF. DESIG.	Q'TY			PART NO.	DESCRIPTION
	U	C	E		
RK31	1	1	1	GD05123140	12K Ω
RK32	1	1	1	GD05123140	12K Ω
RK33	1	1	1	GD05182140	1.8K Ω
RK34	1	1	1	GD05182140	1.8K Ω
RK35	1	1	1	GD05121140	120 Ω
RK36	1	1	1	GD05121140	120 Ω
RK37	1	1	1	GD05272140	2.7K Ω
RK38	1	1	1	GD05272140	2.7K Ω
RK39	1	1	1	GD05274140	270K Ω
RK40	1	1	1	GD05274140	270K Ω
RK41	1	1	1	GD05682140	6.8K Ω
RK42	1	1	1	GD05682140	6.8K Ω
RK45	1	1	1	GD05822140	8.2K Ω
RK46	1	1	1	GD05822140	8.2K Ω
RK47	1	1	1	GD05562140	5.6K Ω
RK48	1	1	1	GD05562140	5.6K Ω
RK49	1	1	1	GD05821140	820 Ω
RK50	1	1	1	GD05821140	820 Ω
RK51	1	1	1	GD05103140	10K Ω
RK52	1	1	1	GD05103140	10K Ω
RK53	1	1	1	GD05153140	15K Ω
RK54	1	1	1	GD05392140	3.9K Ω
RK55	1	1	1	GG05271140	270 Ω
QK03	1	1	1	HC10002320	IC IR2418A
QK04	1	1	1	HC10002320	IC IR2418A
QK05	1	1	1	HH00008030	Thermistor SDT-1000
QK06	1	1	1	HH00008030	Thermistor SDT-1000
QK07	1	1	1	HT111271S0	Transistor 2SA1127(S)
QK08	1	1	1	HT111271S0	Transistor 2SA1127(S)
QK09	1	1	1	HT326341S0	Transistor 2SC2634(S)
QK10	1	1	1	HT326341S0	Transistor 2SC2634(S)
QK11	1	1	1	HD20011050	Diode 1S1555
QK12	1	1	1	HD20011050	Diode 1S1555
QK13	1	1	1	HD20011050	Diode 1S1555
QK14	1	1	1	HD20011050	Diode 1S1555
QK15	1	1	1	HD30059090	Zener XZ-185, 18.5V
CK10	1	1	1	EV10600360	Elect 10 μ F 3V
CK11	1	1	1	EV47501660	Elect 4.7 μ F 16V
CK12	1	1	1	EV47501660	Elect 4.7 μ F 16V
RK59	1	1	1	GD05472140	4.7K Ω
RK60	1	1	1	GD05682140	6.8K Ω
RK61	1	1	1	GD05103140	10K Ω
RK62	1	1	1	GD05390140	39 Ω
RK63	1	1	1	GD05270140	27 Ω
RK64	1	1	1	GD05153140	15K Ω
RK65	1	1	1	GD05333140	33K Ω
RK66	1	1	1	GD05102140	1K Ω
RK67	1	1	1	GD05102140	1K Ω
RK68	1	1	1	GD05102140	1K Ω
RK69	1	1	1	GD05102140	1K Ω
RK70	1	1	1	GD05102140	1K Ω

REF. DESIG.	Q'TY			PART NO.	DESCRIPTION
	U	C	E		
QK01	1	1	1	HI11202320	PK00-SEMICONDUCTORS
QK02	1	1	1	HI11202320	L.E.D. GL-112R4
QK20	1	1	1	HC10040030	L.E.D. GL-112R4
QK21	1	1	1	HI10008030	IC LB1416
QK22	1	1	1	HI10008030	L.E.D. SLP141B
QK23	1	1	1	HI10008030	L.E.D. SLP141B
QK24	1	1	1	HI10008030	L.E.D. SLP141B
QK25	1	1	1	HI10008030	L.E.D. SLP141B
PN00	1	1	1	YK21161820	PN00-VOLTAGE AMP. CIRCUIT BOARD
				ZZ21161820	P.W. Board, Voltage Amp. P.W. Board Assembly
CN01	1	1	1	EA47505030	PN00-CAPACITORS
CN02	1	1	1	EA47505030	Elect 4.7 μ F 50V
CN03	1	1	1	EA10505030	Elect 4.7 μ F 50V
CN04	1	1	1	EA10505030	Elect 1 μ F 50V
CN05	1	1	1	EA10505030	Elect 1 μ F 50V
CN06	1	1	1	DD10020300	Ceramic 2pF \pm 0.25pF
CN07	1	1	1	DD10020300	Ceramic 2pF \pm 0.25pF
CN08	1	1	1	DD15270510	Ceramic 27pF \pm 5%
CN09	1	1	1	DD15270510	Ceramic 27pF \pm 5%
CN10	1	1	1	DF16332350	Film 3300pF \pm 10%
				DF16332350	Film 3300pF \pm 10%
CN11	1	1	1	DF16332350	Film 3300pF \pm 10%
CN12	1	1	1	DF16332350	Film 3300pF \pm 10%
CN13	1	1	1	EA10706310	Elect 100 μ F 63V
CN14	1	1	1	EA10706310	Elect 100 μ F 63V
CN15	1	1	1	DK16221300	Ceramic 220pF \pm 10%
CN16	1	1	1	DK16221300	Ceramic 220pF \pm 10%
CN17	1	1	1	DD15200310	Ceramic 20pF \pm 5%
CN18	1	1	1	DD15200310	Ceramic 20pF \pm 5%
RN01	1	1	1	GD05474140	PN00-RESISTORS
RN02	1	1	1	GD05474140	(All Resistors are \pm 5% and $\frac{1}{4}$ W)
RN03	1	1	1	GD05221140	470K Ω
RN04	1	1	1	GD05221140	470K Ω
RN05	1	1	1	GD05221140	220 Ω
RN06	1	1	1	GD05333140	220 Ω
RN07	1	1	1	GD05333140	33K Ω
RN08	1	1	1	GD05273140	33K Ω
RN09	1	1	1	GD05333140	27K Ω
RN10	1	1	1	RA01030460	33K Ω
				RA01030460	10K Ω Trimming
				RA01030460	10K Ω Trimming
RN11	1	1	1	GD05222140	2.2K Ω
RN12	1	1	1	GD05222140	2.2K Ω
RN13	1	1	1	GD05683140	68K Ω
RN14	1	1	1	GD05683140	68K Ω
RN15	1	1	1	GG05472140	68K Ω
RN16	1	1	1	GG05472140	4.7K Ω
RN17	1	1	1	GG05472140	4.7K Ω
RN18	1	1	1	GD05223140	22K Ω
RN19	1	1	1	GD05223140	22K Ω
RN20	1	1	1	GG05472140	4.7K Ω
RN21	1	1	1	GD05331140	330 Ω
RN22	1	1	1	GD05331140	330 Ω
RN23	1	1	1	GD05331140	330 Ω
RN24	1	1	1	GD05331140	330 Ω
RN25	1	1	1	GG05101140	100 Ω

- (U): for U.S.A.
- (C): for Canada
- (E): for Europe

REF. DESIG.	QTY			PART NO.	DESCRIPTION
	U	C	E		
RN26	1	1	1	GG05101140	100Ω
RN27	1	1	1	GG05100140	10Ω
RN28	1	1	1	GG05100140	10Ω
RN29	1	1	1	GD05153140	15KΩ
RN30	1	1	1	GD05153140	15KΩ
QN01	1	1	1	HD20011050	Diode 1S1555
QN02	1	1	1	HD20011050	Diode 1S1555
QN03	1	1	1	HD20011050	Diode 1S1555
QN04	1	1	1	HD20011050	Diode 1S1555
QN05	1	1	1	HT30945100	Transistor 2SC945(Q)
QN06	1	1	1	HT30945100	Transistor 2SC945(Q)
QN07	1	1	1	HT10733100	Transistor 2SA733(Q)
QN08	1	1	1	HT10733100	Transistor 2SA733(Q)
QN09	1	1	1	HD20011050	Diode 1S1555
QN10	1	1	1	HD20011050	Diode 1S1555
QN11	1	1	1	HD20011050	Diode 1S1555
QN12	1	1	1	HD20011050	Diode 1S1555
QN13	1	1	1	HC10032030	IC STK-3082
PS00	1	1	1	YK21161860	PS00-TAPE/FILTER/LOUDNESS CIRCUIT BOARD P.W. Board, Tape/Filter/Loudness
	1	1	1	ZZ21161820	P.W. Board Assembly
CS01	1	1	1	DF15472300	Film 4700pF ±5%
CS02	1	1	1	DF15472300	Film 4700pF ±5%
CS03	1	1	1	DK16271300	Ceramic 270pF ±10%
CS04	1	1	1	DK16271300	Ceramic 270pF ±10%
CS05	1	1	1	EA47405030	Elect 0.47μF 50V
CS06	1	1	1	EA47405030	Elect 0.47μF 50V
CS07	1	1	1	DF16473300	Film 0.047μF ±10%
CS08	1	1	1	DF16473300	Film 0.047μF ±10%
CS09	1	1	1	DK16681300	Ceramic 680pF ±10%
CS10	1	1	1	DK16681300	Ceramic 680pF ±10%
RS01	1	1	1	GD05564140	560KΩ
RS02	1	1	1	GD05564140	560KΩ
RS03	1	1	1	GD05104140	100KΩ
RS04	1	1	1	GD05104140	100KΩ
RS05	1	1	1	GD05392140	3.9KΩ
RS06	1	1	1	GD05392140	3.9KΩ
RS07	1	1	1	GD05473140	47KΩ
RS08	1	1	1	GD05473140	47KΩ
RS09	1	1	1	GD05682140	6.8KΩ
RS10	1	1	1	GD05682140	6.8KΩ
RS11	1	1	1	GD05681140	680Ω
RS12	1	1	1	GD05681140	680Ω
RS13	1	1	1	GD05272140	2.7KΩ
RS14	1	1	1	GD05272140	2.7KΩ
RS15	1	1	1	GD05273140	27KΩ
RS16	1	1	1	GD05273140	27KΩ
RS18	1	1	1	GD05222140	2.2KΩ
JS04	1	1	1	YP06000570	PS00-MISCELLANEOUS Plug (3P)
SS01	1	1	1	SP04060120	Push Switch
PS50	1	1	1	YK102H1440	PS50-MULTIPATH CIRCUIT BOARD P.W. Board, Multipath
	1	1	1	ZZ102H1440	P.W. Board Assembly
CS51	1	1	1	DK18223320	PS50-CAPACITORS Ceramic 0.022μF
CS52	1	1	1	EA10602530	Elect 10μF 25V
RS51	1	1	1	RA01040110	PS50-RESISTOR 100KΩ(B) Trimming
SS51	1	1	1	SP02010550	PS50-SWITCH Push Switch, Multipath
PT00	1	1	1	YK21161830	PT00-SPEAKER SWITCH CIRCUIT BOARD P.W. Board, Speaker Switch
	1	1	1	ZZ102H1830	P.W. Board Assembly
RT01	1	1	1	GA05331020	PT00-RESISTORS 330Ω ±5% 2W
RT02	1	1	1	GA05331020	330Ω ±5% 2W
ST01	1	1	1	SP04020270	PT00-SWITCH Push Switch, Speaker
PT50	1	1	1	YF102H0010	PT50-REC. MODE SWITCH CIRCUIT BOARD P.W. Board, Rec. Mode Switch
	1	1	1	ZZ102H0010	P.W. Board Assembly
CT51	1	1	1	DK18103300	PT50-CAPACITORS Ceramic 0.01μF +80% -20%
CT52	1	1	1	EA47505030	Elect 4.7μF 50V
JT51	1	1	1	YT02040260	PT50-MISCELLANEOUS Terminal, Tape 1 IN/OUT
ST51	1	1	1	SS06060010	Slide Switch
SO11	1	1	1	SR00050030	Rotary Switch
PU00	1	1	1	YK102H1620	PU00-TUNING KEY BOARD CIRCUIT BOARD P.W. Board, Tuning Key Board
	1	1	1	ZZ102H1620	P.W. Board Assembly
SU01	1	1	1	SP01010350	PU00-SWITCHES Push Switch, #3
SU02	1	1	1	SP01010350	Push Switch, #6
SU03	1	1	1	SP01010350	Push Switch, #2
SU04	1	1	1	SP01010350	Push Switch, #5
SU05	1	1	1	SP01010350	Push Switch, #4
SU06	1	1	1	SP01010350	Push Switch, #1
SU07	1	1	1	SP01010350	Push Switch, #7
SU08	1	1	1	SP01010350	Push Switch, Memory Write
SU09	1	1	1	SP01010350	Push Switch, Down
SU10	1	1	1	SP01010350	Push Switch, Up
PU50	1	1	1	YK102H1660	PU50-SCAN STEP CIRCUIT BOARD P.W. Board, Scan Step
	1	1	1	ZZ102H1660	P.W. Board Assembly
SU51	1	1	1	SS02020380	Slide Switch, Scan Step

- (U): for U.S.A.
- (C): for Canada
- (E): for Europe

REF. DESIG.	Q'TY			PART NO.	DESCRIPTION
	U	C	E		
PV00	1	1	1	YK102H1420	PV00-TAPE 2 TERMINAL CIRCUIT BOARD
	1	1	1	ZZ102H1420	P.W. Board, Tape 2 Terminal P.W. Board Assembly
JV11	1	1	1	YT02040260	Terminal, Tape 2 IN/Out
PV50	1	1	1	YK102H1630	PV50-REMOTE CONT. CONNECTOR CIRCUIT BOARD
	1	1	1	ZZ102H1630	P.W. Board, Remote Cont. Connector P.W. Board Assembly
JV51	1	1	1	YP06002230	Plug (12P)
PW00	1	1	1	YK21161840	PW00-PHONE JACK CIRCUIT BOARD
	1	1	1	ZZ21161840	P.W. Board, Phone Jack P.W. Board Assembly
JW04	1	1	1	YJ01001340	Jack, Phone Jack

REF. DESIG.	Q'TY			PART NO.	DESCRIPTION
	U	C	E		
PY00	1	1	1	YK102H1650	PY00-FUNCTION INDICATOR CIRCUIT BOARD
	1	1	1	ZZ102H1650	P.W. Board, Function Indicator P.W. Board Assembly
QY01	1	1	1	HI10004060	L.E.D. SR106C, Tuner
QY02	1	1	1	HI10004060	L.E.D. SR106C, Phone
QY03	1	1	1	HI10004060	L.E.D. SR106C, Aux
QY04	1	1	1	HD20011050	Diode 1S1555
QY05	1	1	1	HD20011050	Diode 1S1555
QY06	1	1	1	HD20011050	Diode 1S1555

(W01-99)	Assembly and Wiring
(T01-99)	Adjustment
(X01-00)	Correction

8. TECHNICAL SPECIFICATIONS

[FOR U.S.A. & CANADA]

AMPLIFIER SECTION:

RATED POWER OUTPUT, MINIMUM CONTINUOUS AVERAGE POWER	
PER CHANNEL, BOTH CHANNELS DRIVEN	88 W
POWER BAND	20 Hz to 20 kHz
TOTAL HARMONIC DISTORTION	0.05%
LOAD IMPEDANCE	4 OHMS
RATED POWER OUTPUT, MINIMUM CONTINUOUS AVERAGE POWER	
PER CHANNEL, BOTH CHANNELS DRIVEN	70 W
POWER BAND	20 Hz to 20 kHz
TOTAL HARMONIC DISTORTION	0.025%
LOAD IMPEDANCE	8 OHMS

I.M. Distortion	
(I.H.F. method, 60 Hz and 7 kHz mixed 4:1 at rated power output)	
at 8 ohm load impedance	0.025%
at 4 ohm load impedance	0.05%
Damping Factor (at 20 Hz)	50

PREAMPLIFIER SECTION:

Phono	
Input Overload at 1 kHz	225 mV
Equivalent Input Noise ("A" Weighted)	0.2 μ V
Dynamic Range	
(Dynamic Range is the ratio of input overload to equivalent input noise)	127 dB
Input Sensitivity	2.7 mV
Input Impedance	47 k ohms
Input Capacitance	100 pF
Frequency Response, RIAA 20 Hz to 20 kHz	\pm 0.2 dB
Signal-to-Noise Ratio ("A" Weighted)	
(at rated output and 10 mV input)	90 dB
High Level (Aux and Tape)	
Input Sensitivity	160 mV
Input Impedance	20 k ohms
Frequency Response	
(includes power amp)	10 Hz to 70 kHz \pm 1.0 dB
Signal-to-Noise Ratio ("A" Weighted)	
(ref. to rated output and 775 mV input)	98 dB
Output Levels	
Tape Out (ref. 10 mV at Phono inputs)	580 mV
Output Impedance	
Tape Out	220 ohms

FM TUNER SECTION:

Sensitivity	
IHF Usable	9.8 dBf (1.7 μ V)
IHF 50 dB Quieting (Mono)	13.2 dBf (2.5 μ V)
(Stereo)	36.1 dBf (35 μ V)
Quieting Slope (Mono)	
RF Input for 30 dB Quieting	7.2 dBf (1.3 μ V)
Quieting at:	
20 dBf (5.5 μ V)	55 dB
25 dBf (10 μ V)	60 dB
40 dBf (55 μ V)	74 dB
65 dBf (1000 μ V)	80 dB

[FOR EUROPE]

AUDIO SECTION

POWER OUTPUT, DIN, 4 OHM, PER CHANNEL	129 W
POWER OUTPUT, FTC AMERICAN STANDARDS, 4 OHM, PER CHANNEL	88 W
TOTAL HARMONIC DISTORTION AT RATED POWER OUTPUT	0.06%
I.M. DISTORTION AT RATED POWER OUTPUT (250 Hz AND 8 kHz MIXED, AMPLITUDE RATIO 4:1)	0.06%
POWER OUTPUT, DIN, 8 OHM, PER CHANNEL	91 W
TOTAL HARMONIC DISTORTION AT RATED POWER OUTPUT	0.03%
I.M. DISTORTION AT RATED POWER OUTPUT (250 Hz AND 8 kHz MIXED, AMPLITUDE RATIO 4:1)	0.03%
POWER BANDWIDTH	10 Hz ~ 40 kHz (40 Hz) (1 kHz) (12.5 kHz)
DAMPING FACTOR 8 OHM	65

Frequency Response	
Phone (RIAA)	±0.5 dB
Aux (±1 dB)	10 Hz ~ 40 kHz
Signal-to-Noise Ratio	
Phono	72 dB
Aux	80 dB
Input Terminals	
Phono: Input Impedance	47 k ohms
Input Capacitance	100 pF
Input Sensitivity	2.7 mV
Overload Margin	40 dB
Aux: Input Impedance	20 k ohms
Input Sensitivity	160 mV
Phono Equivalent Input Noise	1.2 µV
Phono Dynamic Range (Ratio of input overload to equivalent input noise)	107 dB
Channel Balance (0 to -40 dB/40 Hz ~ 16 kHz)	
Phono	2.0 dB
Aux	1.5 dB

Interchannel Crosstalk	
Phono 1 kHz	35 dB
Aux 1 kHz	50 dB
Tape 1 kHz	50 dB
Intersource Crosstalk (Worst Point)	
1 kHz	50 dB
Output Voltage, 1 kHz	450 mV
Tape out	
Output Impedance, 1 kHz	500 ohms
Tape Out	
Headphone Jack Load Impedance	8 ohms

FM TUNER SECTION

Frequency Range	87.5 ~ 108 MHz
Usable Sensitivity 40 kHz Deviation, 98 MHz (75 ohms)	
Mono, S/N 26 dB	0.8 µV
Stereo, S/N 46 dB	21 mV
Alternate Channel Selectivity, 98 MHz ±300 kHz	70 dB
Image Response Rejection, 98 MHz	60 dB
IF Rejection, 98 MHz	100 dB
Spurious Response Rejection, 98 MHz	98 dB
AM Suppression, 98 MHz	60 dB

Quieting Slope (Stereo)	
Quieting at:	
30 dBf (17 µV)	42 dB
40 dBf (55 µV)	54 dB
50 dBf (173 µV)	64 dB
65 dBf (1000 µV)	72 dB
Distortion (Mono) at 65 dBf (1000 µV)	
100 Hz	0.2%
1000 Hz	0.15%
6000 Hz	0.2%
Distortion (Stereo) at 65 dBf (1000 µV)	
100 Hz	0.25%
1000 Hz	0.2%
6000 Hz	0.3%
Frequency Response	
30 Hz to 15 kHz	
Mono and Stereo	
Capture Ratio at 65 dBf (1000 µV)	+0.5 dB, -1.0 dB
Alternate Channel Selectivity	1.0 dB
Spurious Response Rejection	65 dB
Image Response Rejection	90 dB
I.F. Rejection (Balanced)	55 dB
A.M. Suppression	90 dB
Stereo Separation at 1 kHz	55 dB
Subcarrier Rejection	45 dB
	65 dB

AM TUNER SECTION:	
IHF Usable Sensitivity	20 µV
Signal-to-Noise Ratio	50 dB
Alternate Channel Selectivity	45 dB
Image Rejection	45 dB
Spurious Response Rejection	55 dB
I.F. Rejection	40 dB

GENERAL:	
Power Requirements	120 VAC, 60 Hz
Power Consumption at rated output, both channels operating	300 W
Standby Power (Volume Control at zero)	32 W
Dimensions:	
Panel Width	466 mm (18-3/8")
Panel Height	140 mm (5-1/2")
Depth	353 mm (13-7/8")
Weight:	
Unit alone	10.5 kg (23.1 lbs)
Packed for Shipment	12.5 kg (27.5 lbs)

Signal-to-Noise Ratio, 98 MHz		
Unweighted:	Mono	72 dB
	Stereo	65 dB
Weighted:	Mono	62 dB
	Stereo	55 dB
Pilot Signal & Subcarrier Rejection		
	19 kHz	65 dB
	38 kHz	70 dB
Total Harmonic Distortion, 98 MHz		
	Mono	0.08%
	Stereo	0.15%
Frequency Response		
	30 Hz ~ 15 kHz	+0.3 dB, -1.0 dB
Separation		
	Stereo	48 dB
	Channel Balance	0.5 dB
	Output Voltage, 1 kHz	600 mV
	Output Impedance, 1 kHz	1 k ohms
	Acceptable Load Impedance, 1 kHz	47 k ohms
Antenna Terminals		
	Balanced	300 ohms
	Unbalanced	75 ohms

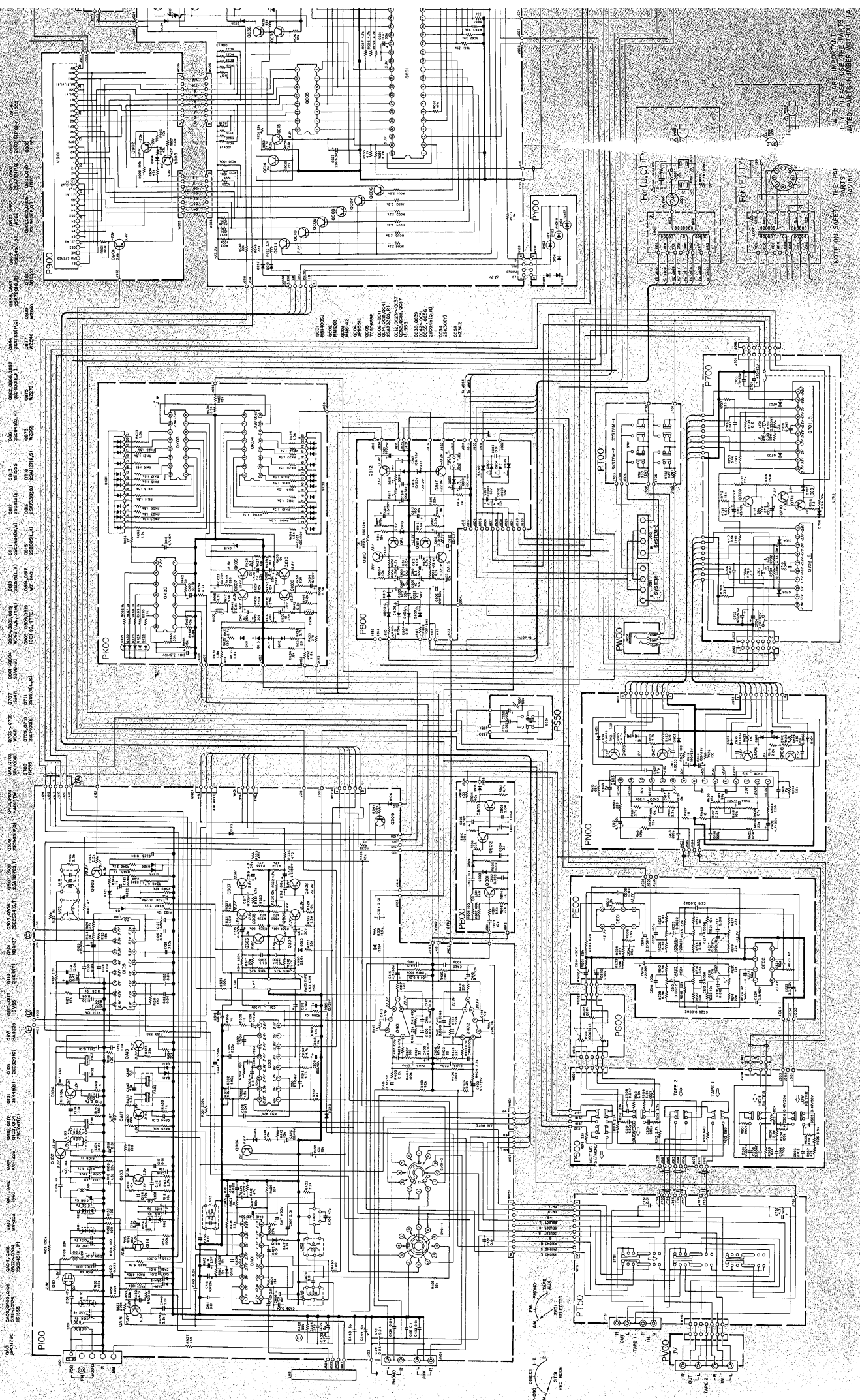
AM TUNER SECTION

Frequency Range	515 ~ 1650 kHz
Usable Sensitivity (26 dB S/N 30% Mod., 1 MHz)	15 μ V
Selectivity, 1 MHz \pm 9 kHz	46 dB
Image Rejection, 1 MHz	50 dB
IF Rejection, 1 MHz	45 dB
Spurious Response Rejection, 1 MHz	60 dB
Signal-to-Noise Ratio, 1 MHz	55 dB
Frequency Response, 1 MHz \pm 3 dB	35 Hz ~ 1.8 kHz
Total Harmonic Distortion, 1 MHz	0.5%

GENERAL

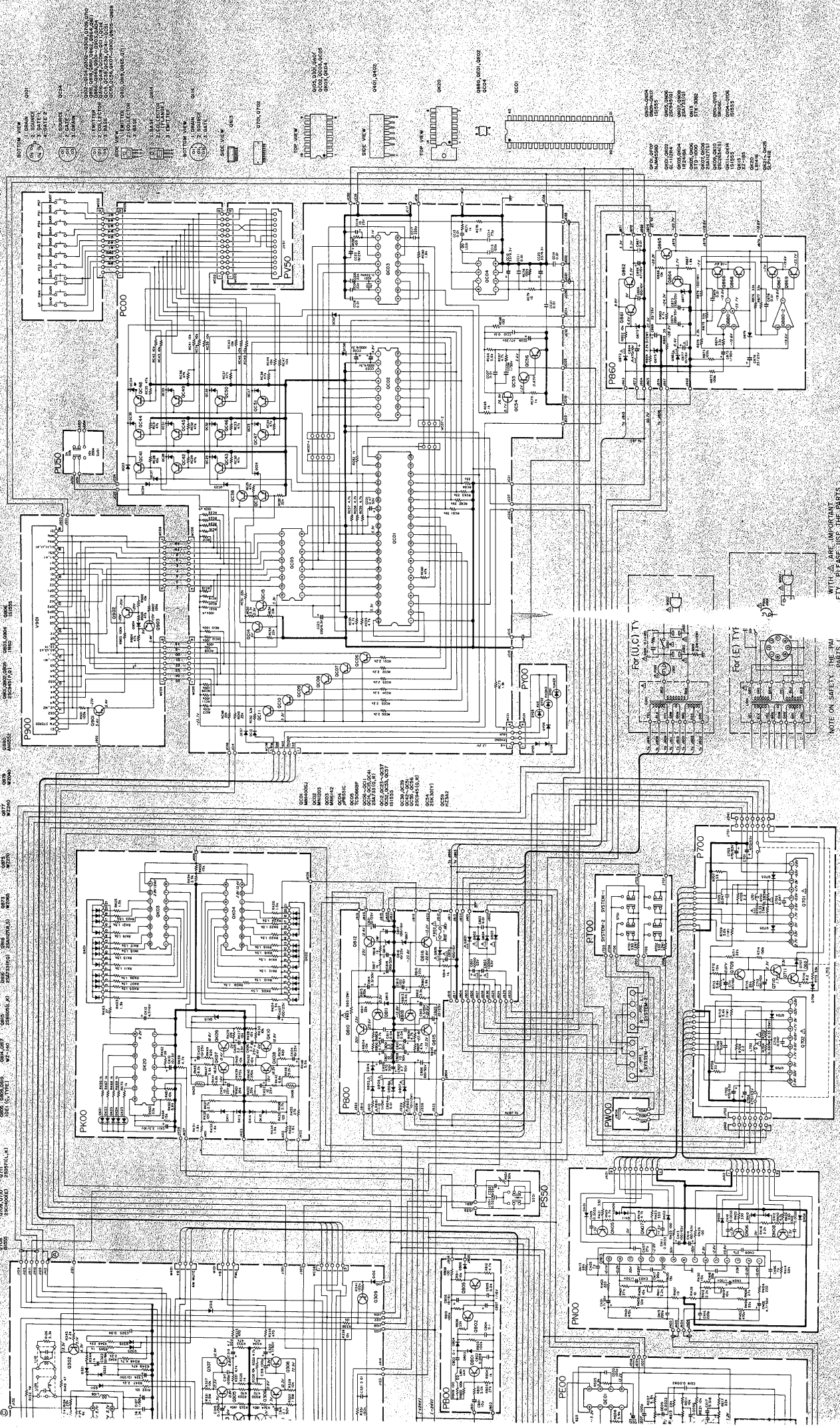
Power Requirements	220 V AC, 50 Hz
	(N version is featuring an external voltage selector for use on 110/120/240 V.)
	Other versions can be converted by a qualified technician to operate on 110/120/240 V.)
Power Consumption at Rated Output, Both Channels Operating	300 W
Idling Power	32 W
Semiconductor Complement	
Integrated Circuits	12
Transistors	29
Diodes	39
Field Effect Transistors	1
Dimensions	
Panel Width	18-3/8" (466 mm)
Panel Height	5-1/2" (140 mm)
Depth	13-7/8" (353 mm)
Weight	
Unit alone	23.1 lbs (10.5 kg)
Packed for shipment	27.5 lbs (12.5 kg)

SCHEMATIC DIAGRAM



- 001 002 003 004 005 006 007 008 009 010 011 012 013 014 015 016 017 018 019 020 021 022 023 024 025 026 027 028 029 030 031 032 033 034 035 036 037 038 039 040 041 042 043 044 045 046 047 048 049 050 051 052 053 054 055 056 057 058 059 060 061 062 063 064 065 066 067 068 069 070 071 072 073 074 075 076 077 078 079 080 081 082 083 084 085 086 087 088 089 090 091 092 093 094 095 096 097 098 099 100 101 102 103 104 105 106 107 108 109 110 111 112 113 114 115 116 117 118 119 120 121 122 123 124 125 126 127 128 129 130 131 132 133 134 135 136 137 138 139 140 141 142 143 144 145 146 147 148 149 150 151 152 153 154 155 156 157 158 159 160 161 162 163 164 165 166 167 168 169 170 171 172 173 174 175 176 177 178 179 180 181 182 183 184 185 186 187 188 189 190 191 192 193 194 195 196 197 198 199 200 201 202 203 204 205 206 207 208 209 210 211 212 213 214 215 216 217 218 219 220 221 222 223 224 225 226 227 228 229 230 231 232 233 234 235 236 237 238 239 240 241 242 243 244 245 246 247 248 249 250 251 252 253 254 255 256 257 258 259 260 261 262 263 264 265 266 267 268 269 270 271 272 273 274 275 276 277 278 279 280 281 282 283 284 285 286 287 288 289 290 291 292 293 294 295 296 297 298 299 300 301 302 303 304 305 306 307 308 309 310 311 312 313 314 315 316 317 318 319 320 321 322 323 324 325 326 327 328 329 330 331 332 333 334 335 336 337 338 339 340 341 342 343 344 345 346 347 348 349 350 351 352 353 354 355 356 357 358 359 360 361 362 363 364 365 366 367 368 369 370 371 372 373 374 375 376 377 378 379 380 381 382 383 384 385 386 387 388 389 390 391 392 393 394 395 396 397 398 399 400 401 402 403 404 405 406 407 408 409 410 411 412 413 414 415 416 417 418 419 420 421 422 423 424 425 426 427 428 429 430 431 432 433 434 435 436 437 438 439 440 441 442 443 444 445 446 447 448 449 450 451 452 453 454 455 456 457 458 459 460 461 462 463 464 465 466 467 468 469 470 471 472 473 474 475 476 477 478 479 480 481 482 483 484 485 486 487 488 489 490 491 492 493 494 495 496 497 498 499 500 501 502 503 504 505 506 507 508 509 510 511 512 513 514 515 516 517 518 519 520 521 522 523 524 525 526 527 528 529 530 531 532 533 534 535 536 537 538 539 540 541 542 543 544 545 546 547 548 549 550 551 552 553 554 555 556 557 558 559 560 561 562 563 564 565 566 567 568 569 570 571 572 573 574 575 576 577 578 579 580 581 582 583 584 585 586 587 588 589 590 591 592 593 594 595 596 597 598 599 600 601 602 603 604 605 606 607 608 609 610 611 612 613 614 615 616 617 618 619 620 621 622 623 624 625 626 627 628 629 630 631 632 633 634 635 636 637 638 639 640 641 642 643 644 645 646 647 648 649 650 651 652 653 654 655 656 657 658 659 660 661 662 663 664 665 666 667 668 669 670 671 672 673 674 675 676 677 678 679 680 681 682 683 684 685 686 687 688 689 690 691 692 693 694 695 696 697 698 699 700 701 702 703 704 705 706 707 708 709 710 711 712 713 714 715 716 717 718 719 720 721 722 723 724 725 726 727 728 729 730 731 732 733 734 735 736 737 738 739 740 741 742 743 744 745 746 747 748 749 750 751 752 753 754 755 756 757 758 759 760 761 762 763 764 765 766 767 768 769 770 771 772 773 774 775 776 777 778 779 780 781 782 783 784 785 786 787 788 789 790 791 792 793 794 795 796 797 798 799 800 801 802 803 804 805 806 807 808 809 810 811 812 813 814 815 816 817 818 819 820 821 822 823 824 825 826 827 828 829 830 831 832 833 834 835 836 837 838 839 840 841 842 843 844 845 846 847 848 849 850 851 852 853 854 855 856 857 858 859 860 861 862 863 864 865 866 867 868 869 870 871 872 873 874 875 876 877 878 879 880 881 882 883 884 885 886 887 888 889 890 891 892 893 894 895 896 897 898 899 900 901 902 903 904 905 906 907 908 909 910 911 912 913 914 915 916 917 918 919 920 921 922 923 924 925 926 927 928 929 930 931 932 933 934 935 936 937 938 939 940 941 942 943 944 945 946 947 948 949 950 951 952 953 954 955 956 957 958 959 960 961 962 963 964 965 966 967 968 969 970 971 972 973 974 975 976 977 978 979 980 981 982 983 984 985 986 987 988 989 990 991 992 993 994 995 996 997 998 999 1000

NOTE ON SAFETY: THE PAI PARTS T HAVE WITH ARE IMPORTANT ETC. PART NUMBER IN PARTS T



NOTE ON SAFETY: BE CAREFUL WITH ALL WIRING. PLEASE USE THE PARTS LISTED. PARTS NUMBER WITHOUT FAIL.